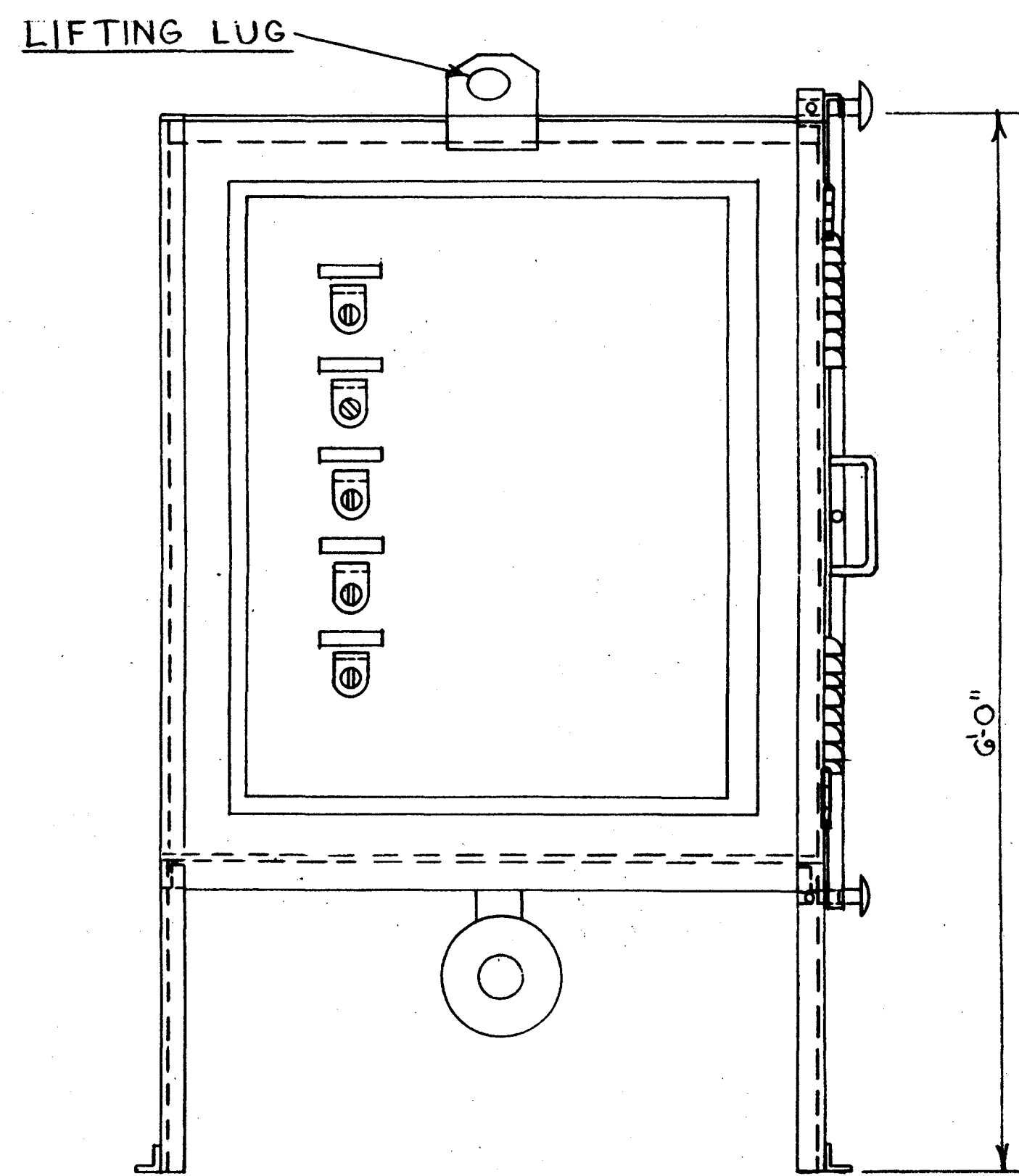
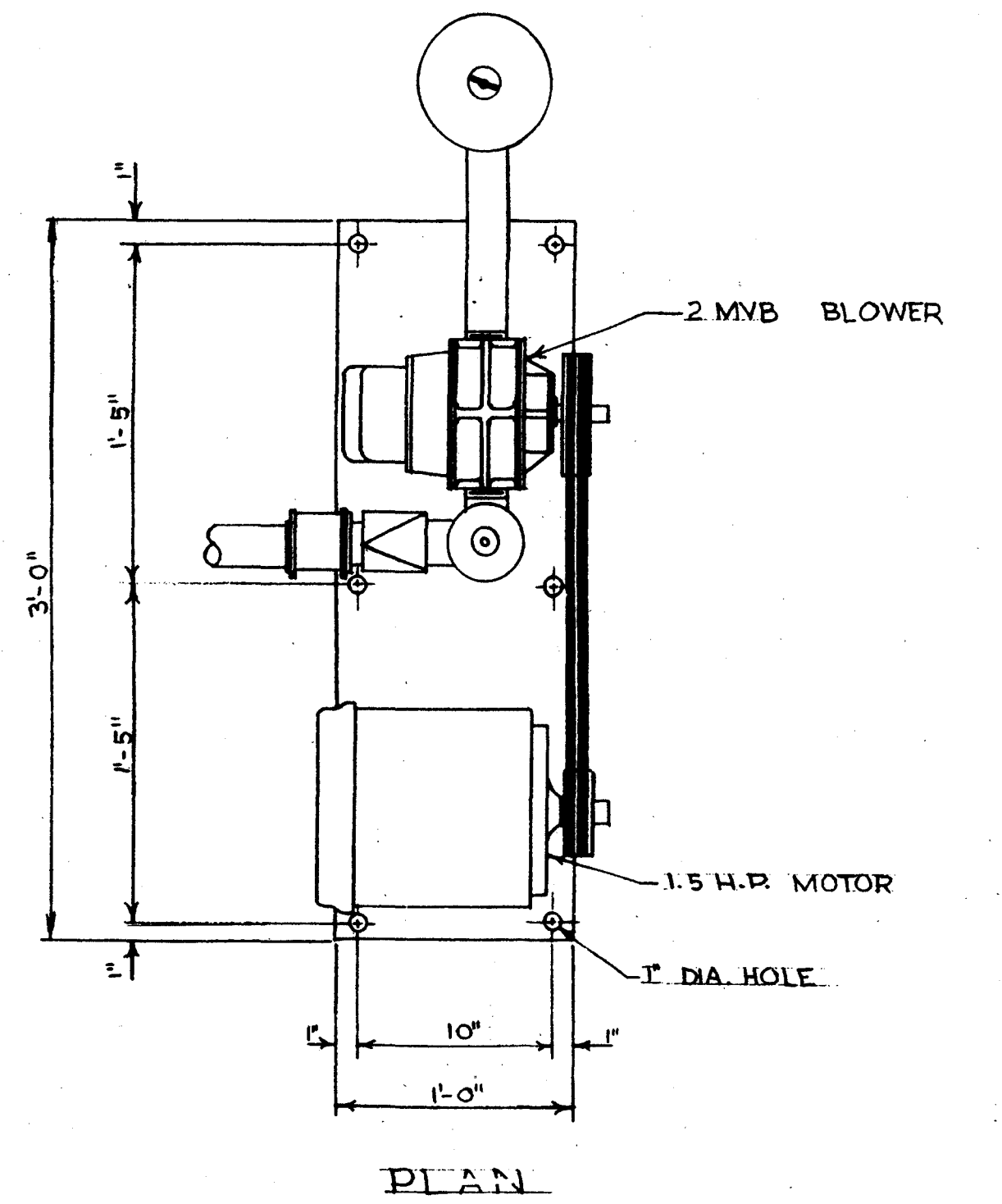


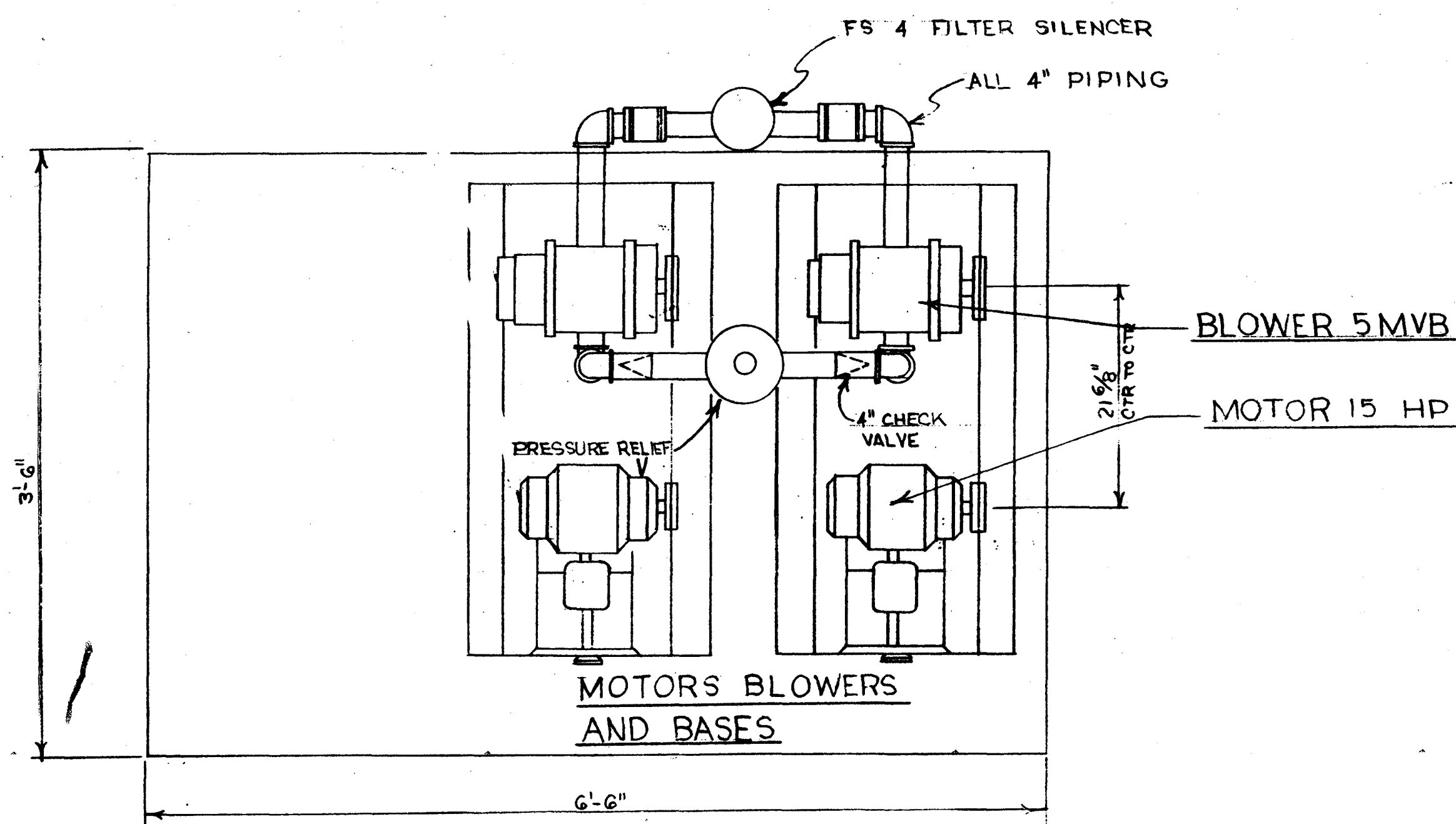
FRONT VIEW



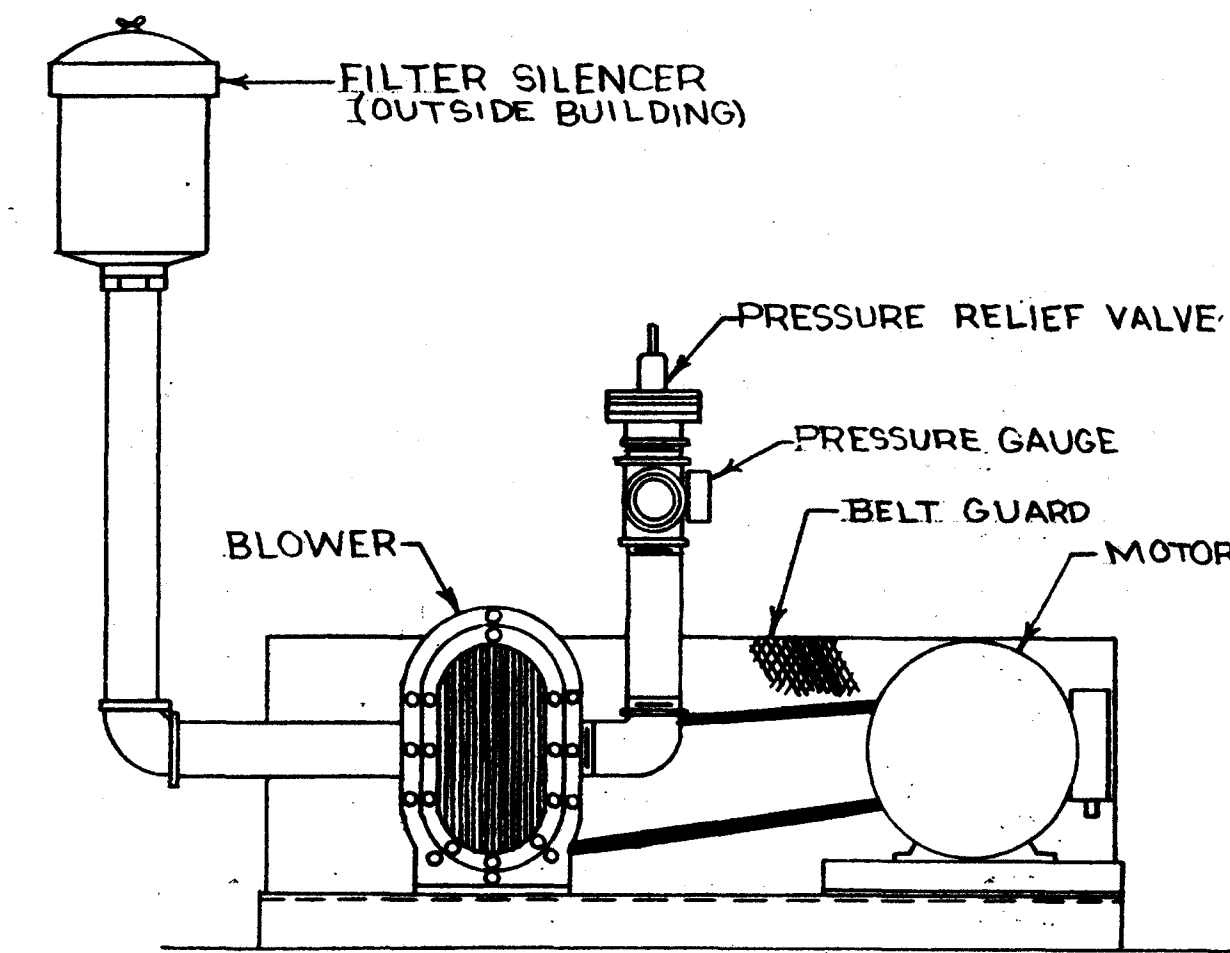
END VIEW



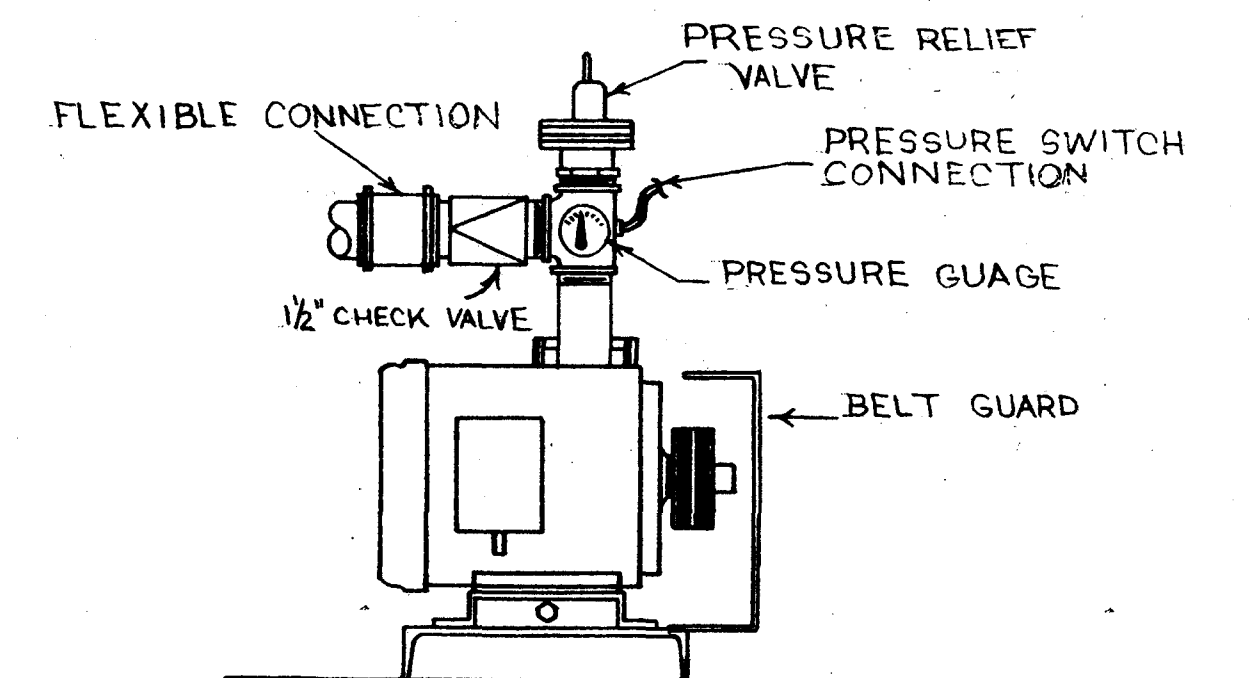
PLAN



PLAN



SIDE VIEW



ELEVATION

BLOWER HOUSE

NOT TO SCALE

NJ013-0115

SYMBOL	DESCRIPTION	DATE	APPROVED
FOSTER WHEELER USA CORPORATION <small>FERRVILLE CORPORATE PARK, CLINTON, N.J.</small>			
		UNITED STATES ARMY - FORT DIX DIRECTORATE OF PUBLIC WORKS FORT DIX, NEW JERSEY 08640	
DRAWN	N.A.	NEW WASTEWATER LIFT STATION AND FORCE MAIN SEIVERS-SANDBERG U.S. ARMY RESERVE CENTER PEDRICKTOWN, NEW JERSEY DEMOLITION OF CONTROL HOUSE/ AIR SCOUR BLOWER ASSEMBLY	
DESIGNED	N.A.		
CHECKED	P.F.B.		
FP&P DIV			
B&G DIV			
UTL. DIV			
USING AGENCY			
RECOMMENDED:	Chief Engineering, Plans & Services	SCALE: NOT TO SCALE	DRAWING NUMBER
APPROVED:	Director of Engineering & Housing	DATE: OCT. 25, '96	F-
		PR. NR: GM-00036-5P	PLATE D-5
			SHEET 8 OF 18

13-05-37389

373892