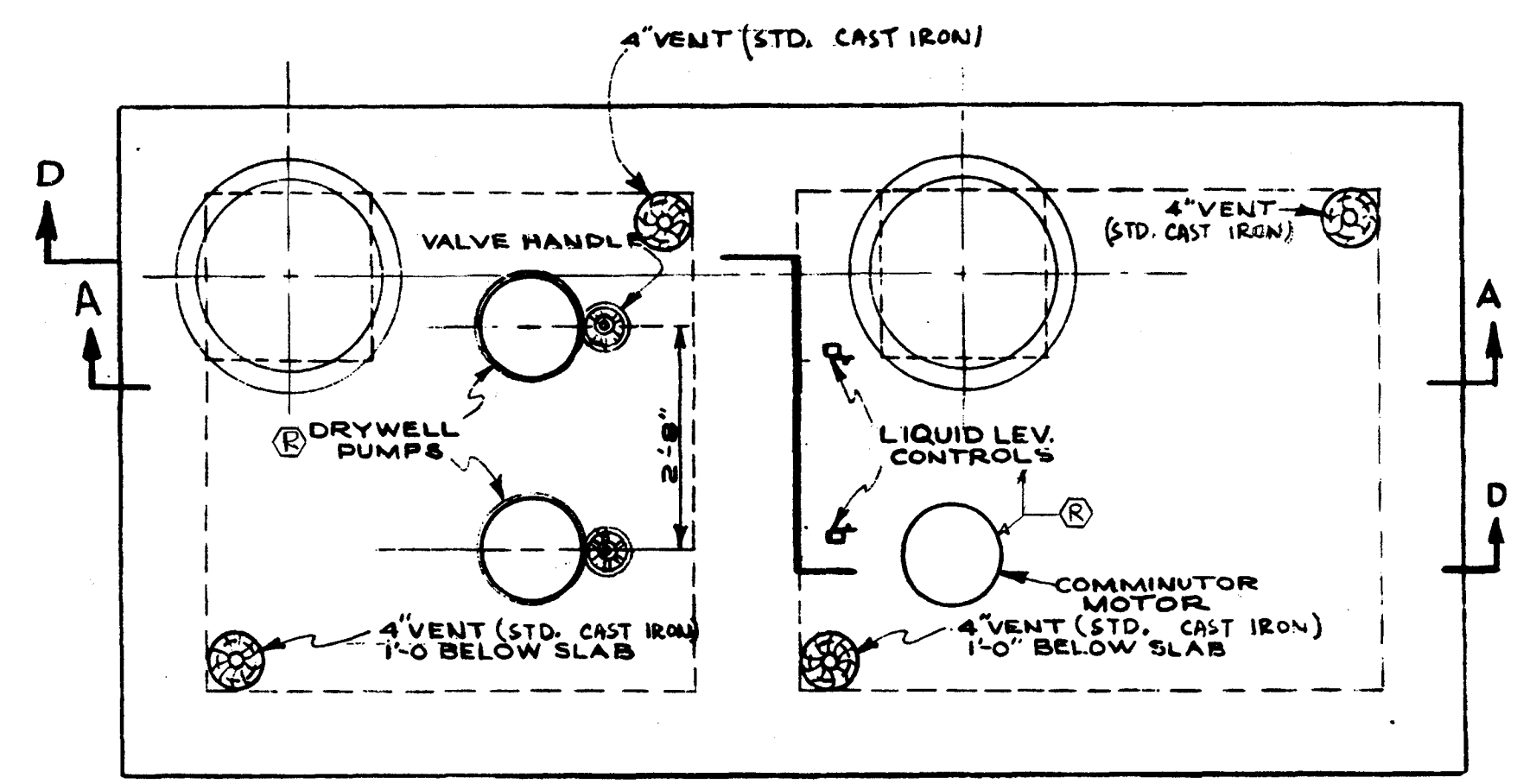
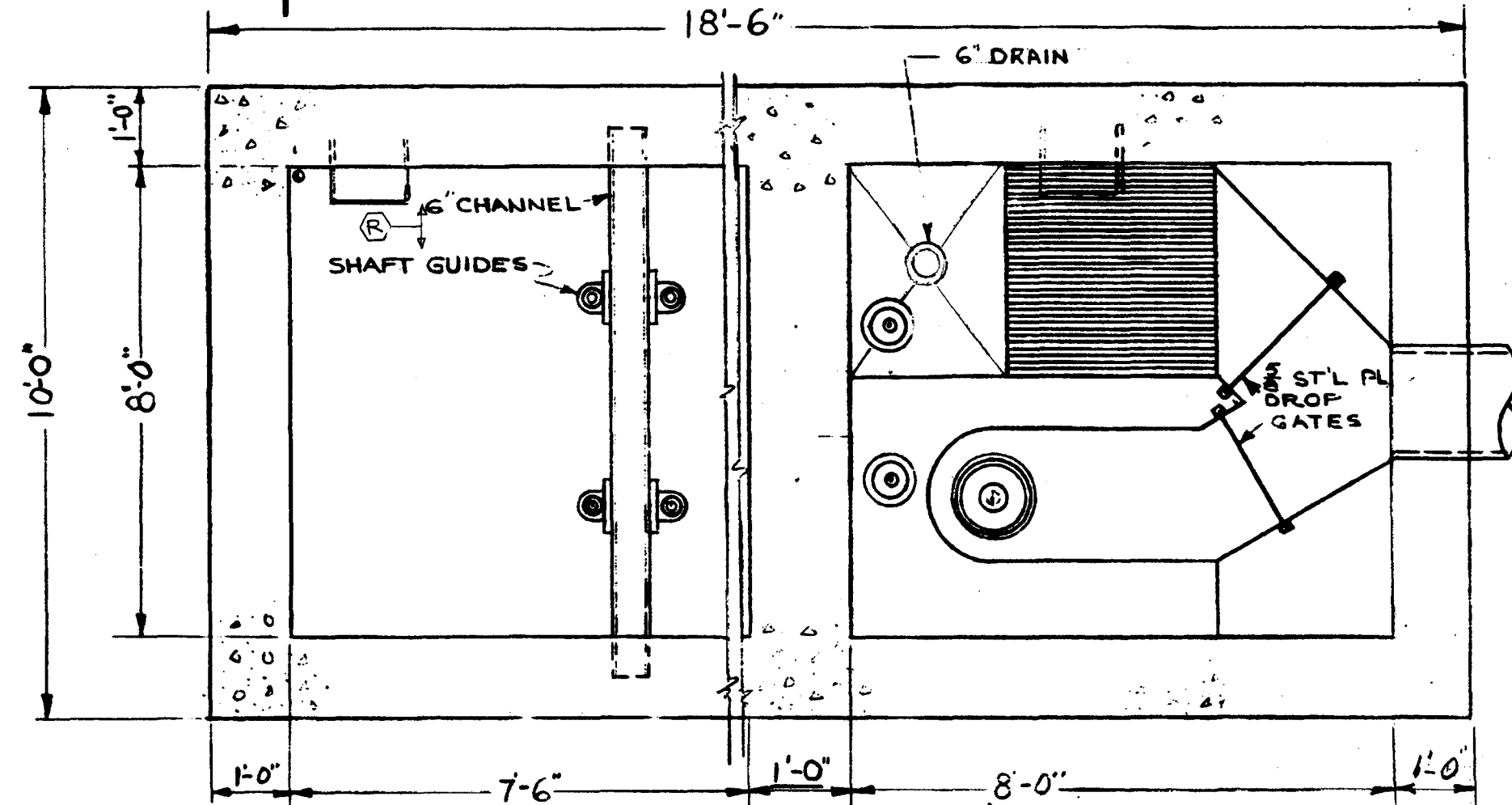


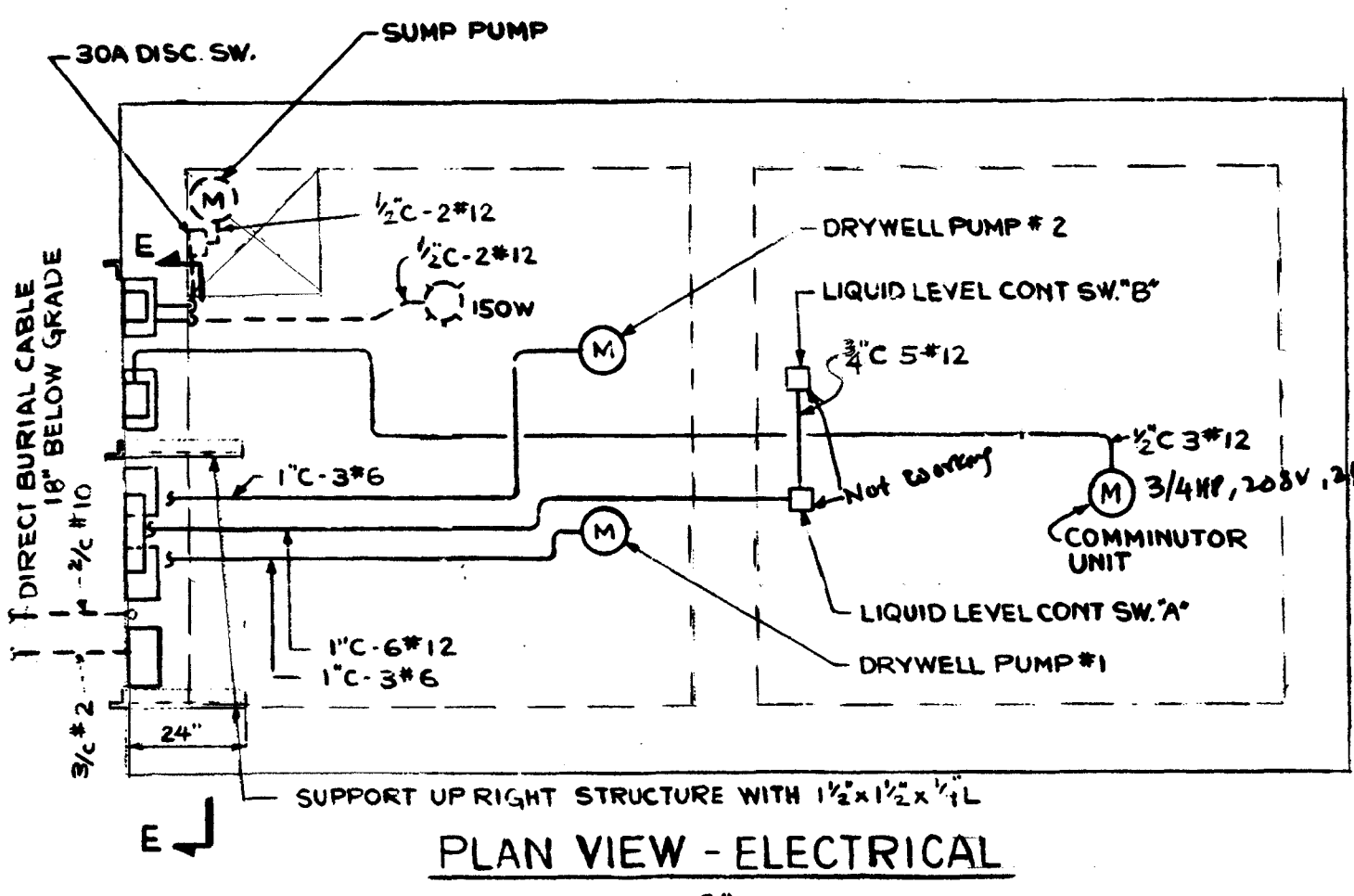
FRAME-TYP. MH.
NO SCALE



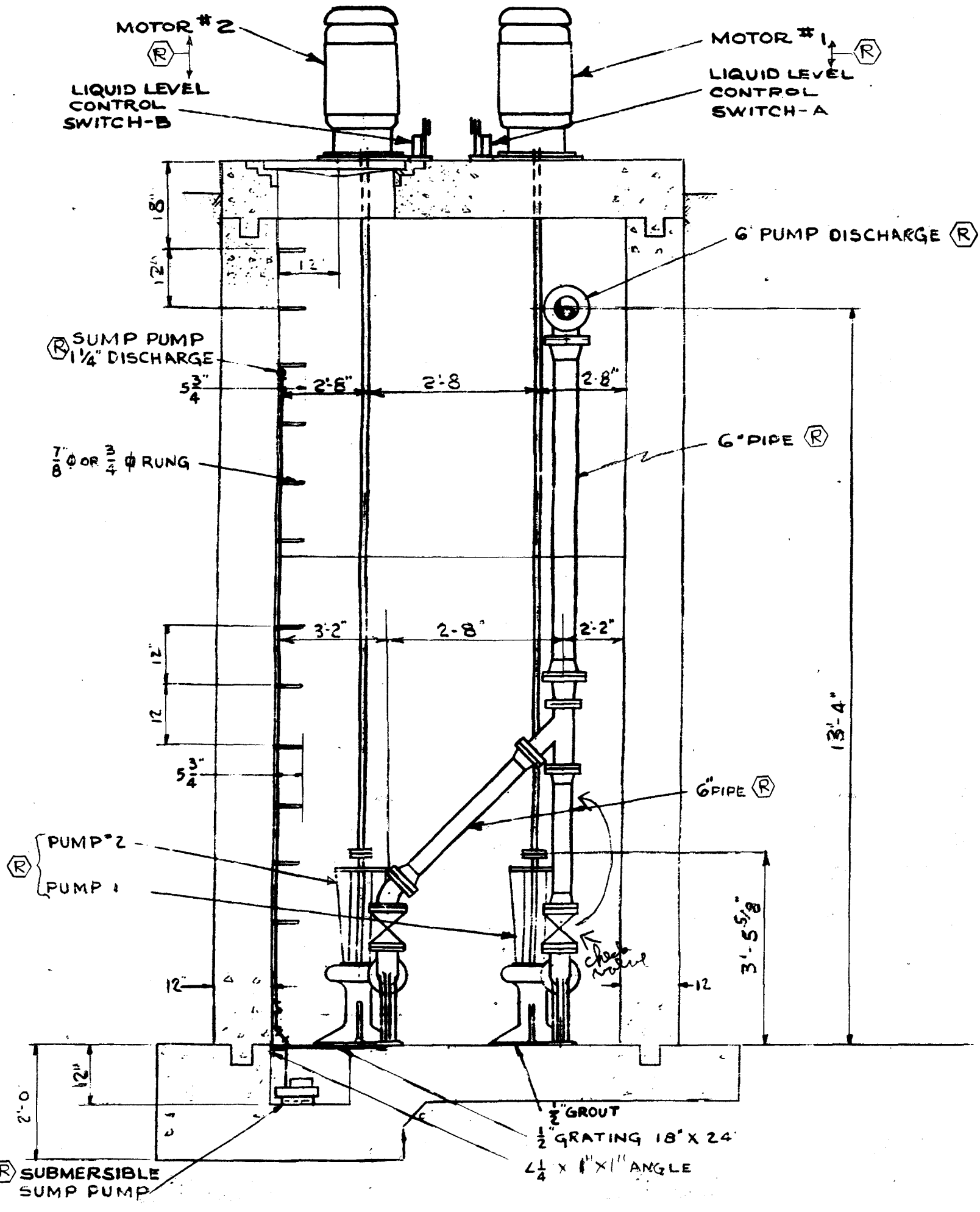
PLAN VIEW
SCALE: 1/2\"/>



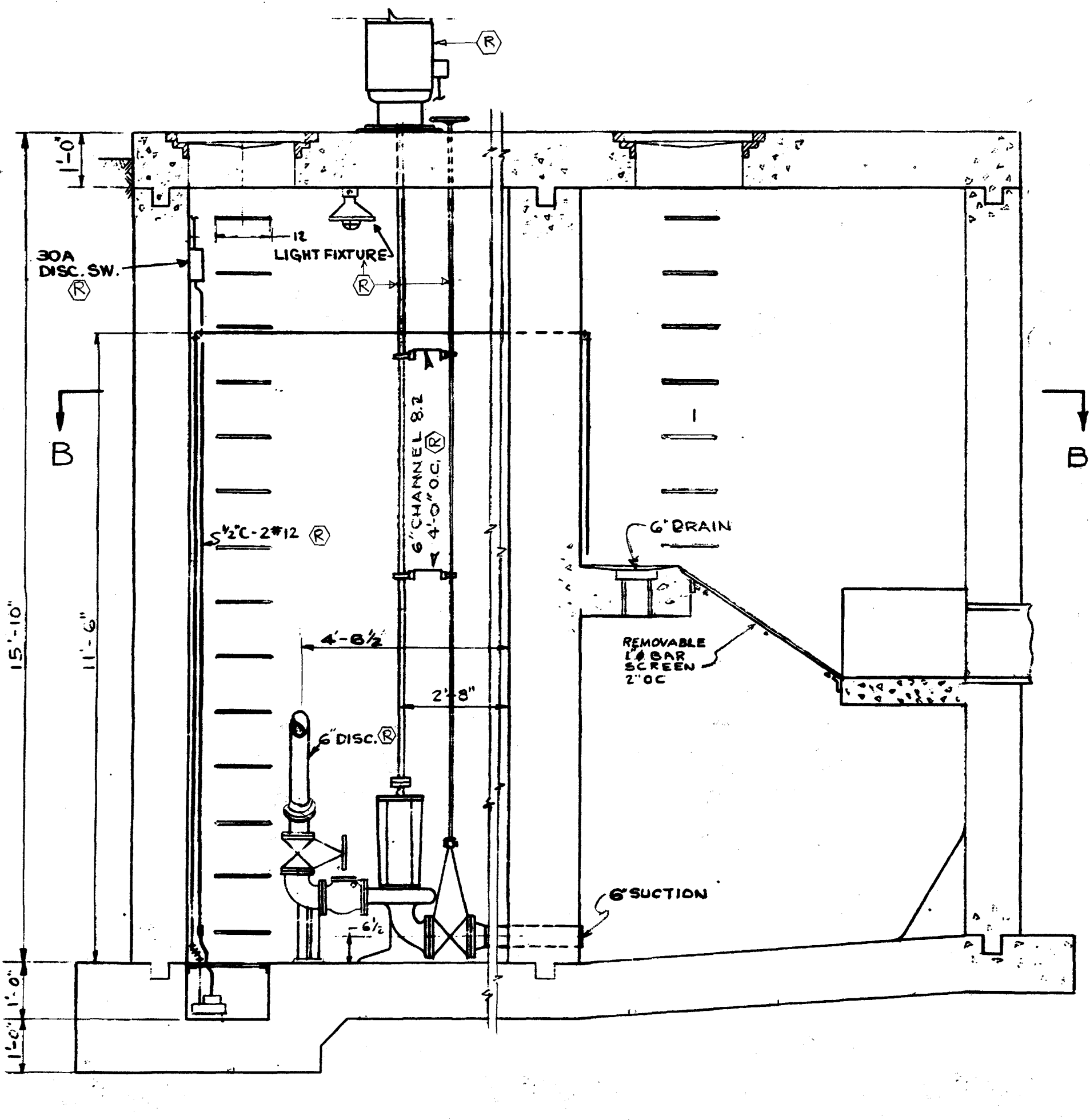
SECTION B-B



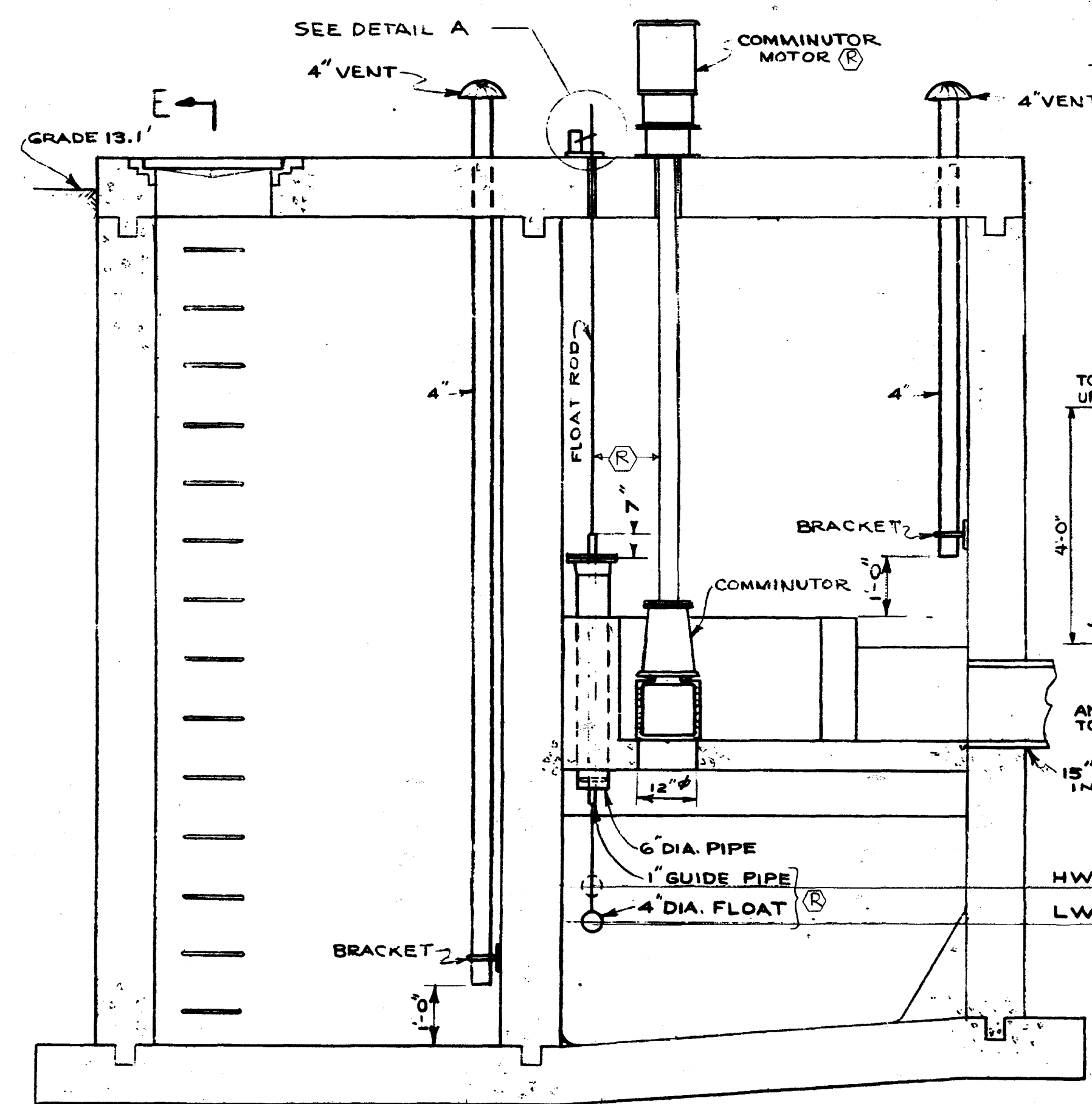
PLAN VIEW - ELECTRICAL
SCALE: 3/8\"/>



SECTION C-C



SECTION A-A



SECTION D-D

NOTES:

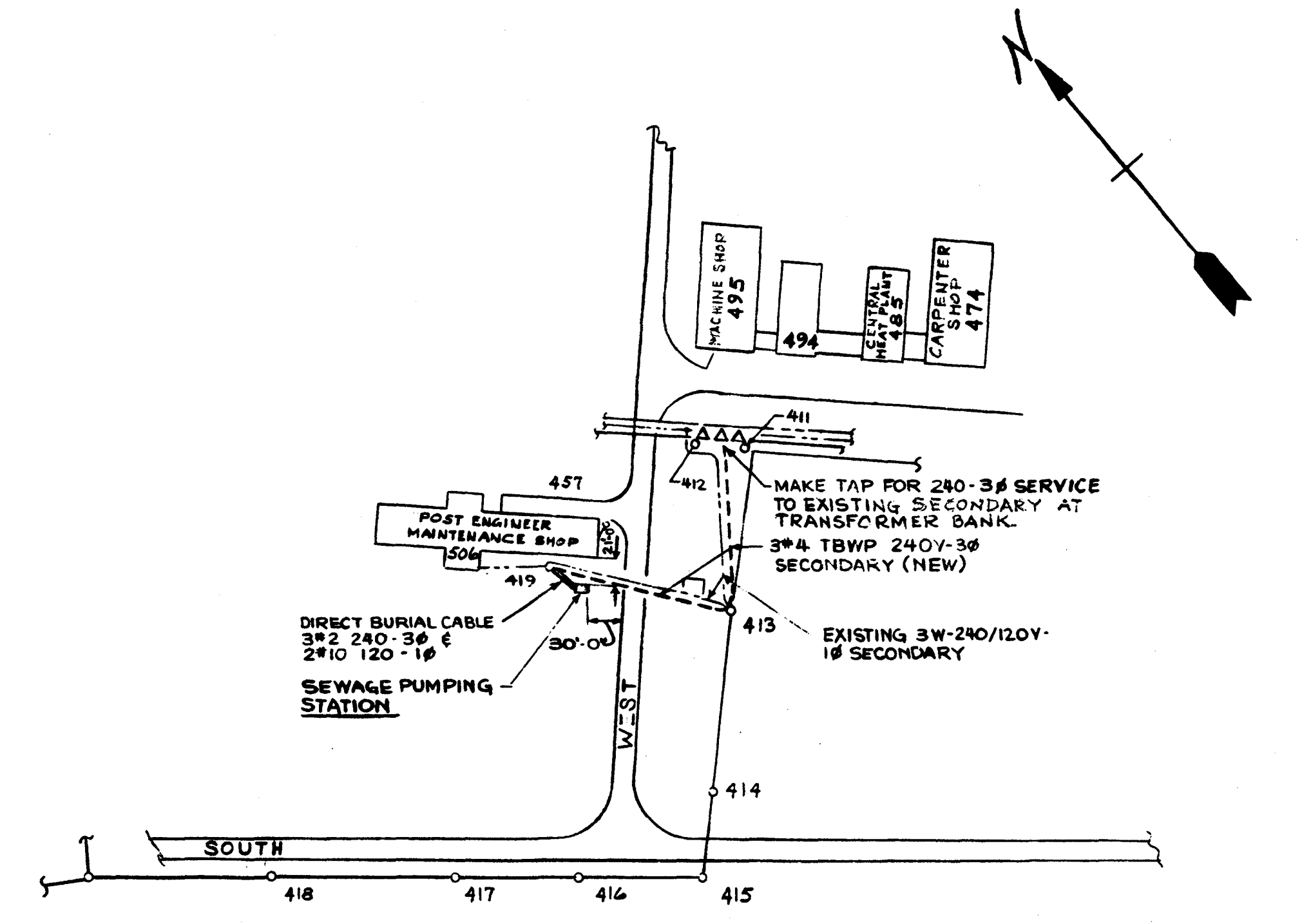
1. ALL ELECTRICAL EQUIPMENT & INSTALLATION INSIDE PIT TO BE INSTALLED IN ACCORDANCE WITH N.E.C. ARTICLE 500 & 510 CLASS I GROUP D.
2. ALL ELECTRICAL EQUIPMENT & INSTALLATION OUTSIDE PIT TO BE WEATHERPROOF.

DESCRIPTION OF EQUIPMENT

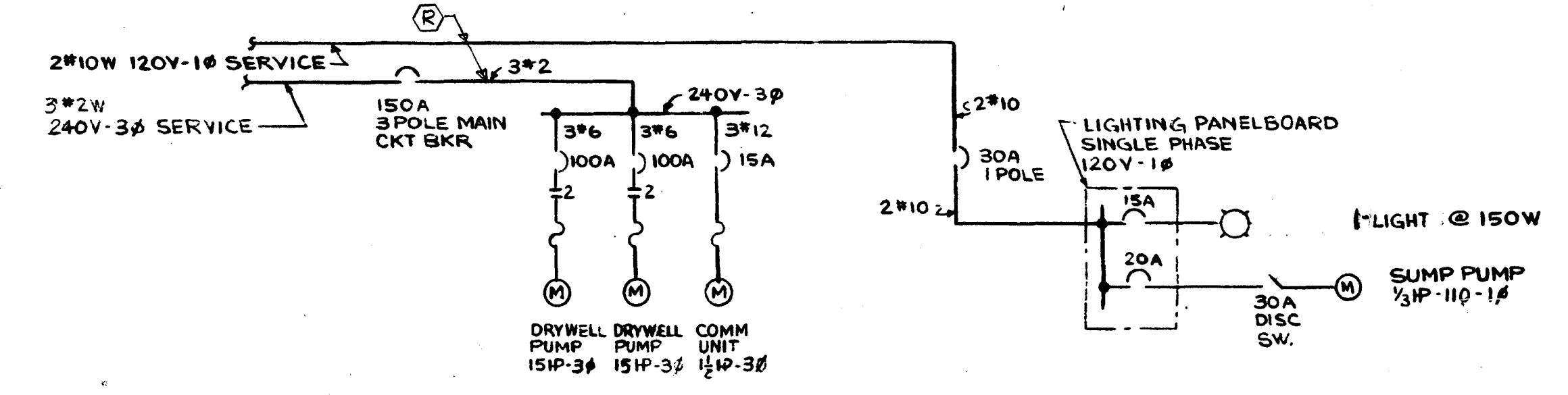
AUTOMATIC ALTERNATOR - SHALL CONSIST OF A SUFFICIENT NUMBER OF 240VOLT - 60~ A.C. SWITCHING RELAYS MOUNTED IN ONE ENCLOSURE. EXTERNAL CONNECTIONS ARE MADE DIRECTLY TO TERMINAL SCREWS ON THE SWITCH MECHANISMS.

MOTOR STARTERS - ARE COMBINATION CKT BKR & STARTER. EACH STARTER SHALL BE MAGNETIC & OPERATE ON A LINE VOLTAGE OF 240V-3P-60~ A.C. SOURCE. EACH STARTER SHALL SUPPLY ITS OWN SOURCE OF POWER FOR THE CONTROL TO THE ALTERNATOR & LIQUID LEVEL CONTROL SWS 'A' & 'B'.

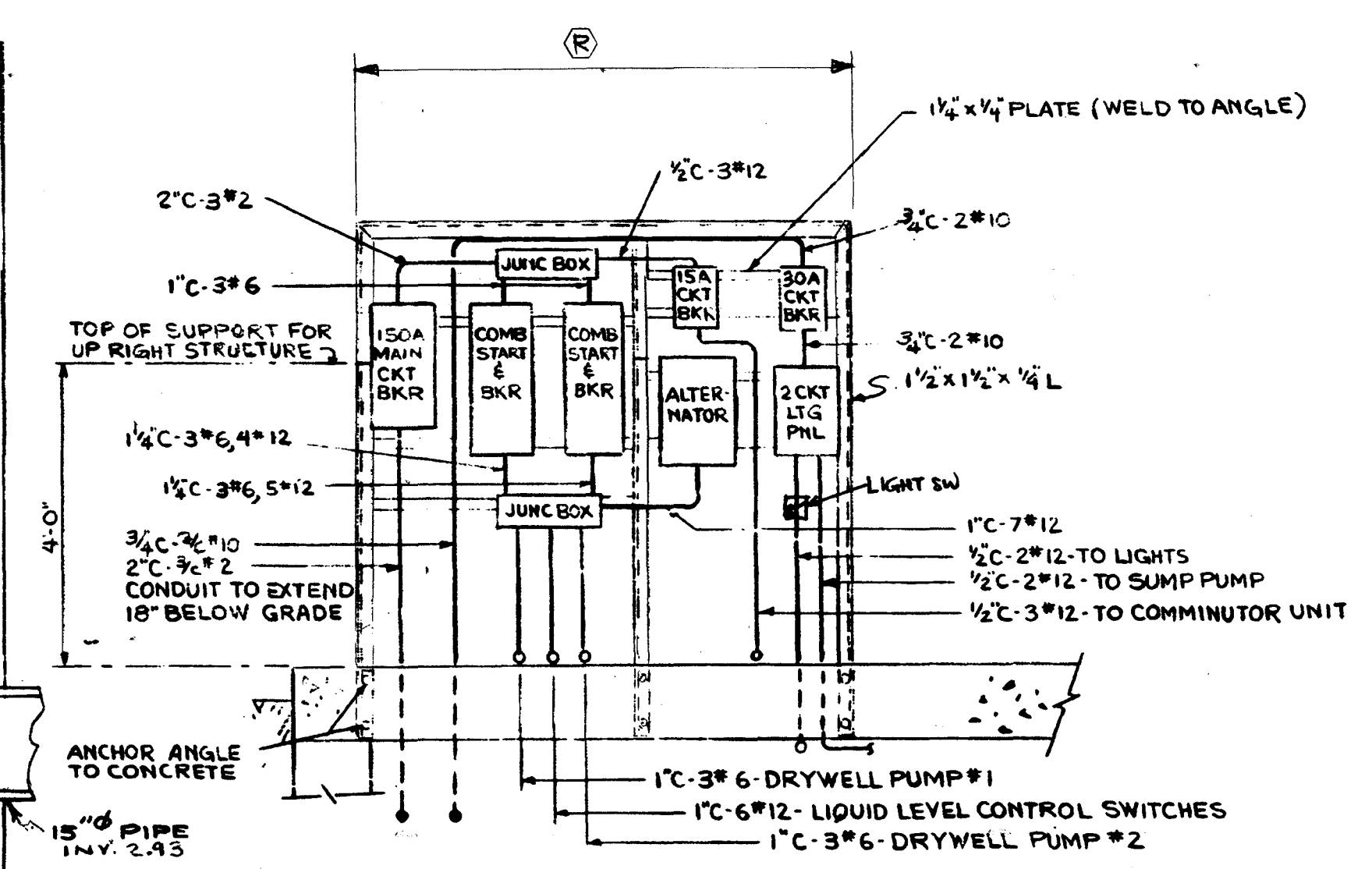
LIQUID LEVEL CONTROL SWITCHES - ARE ROD OPERATED & EACH SHALL CONSIST OF TWO DOUBLE POLE, SINGLE THROW SWITCHES. CONTACTS RATED FOR 240V AC-60W AND ARE CLOSED ON LIQUID RISE.



PLOT PLAN
SCALE: 1\"/>



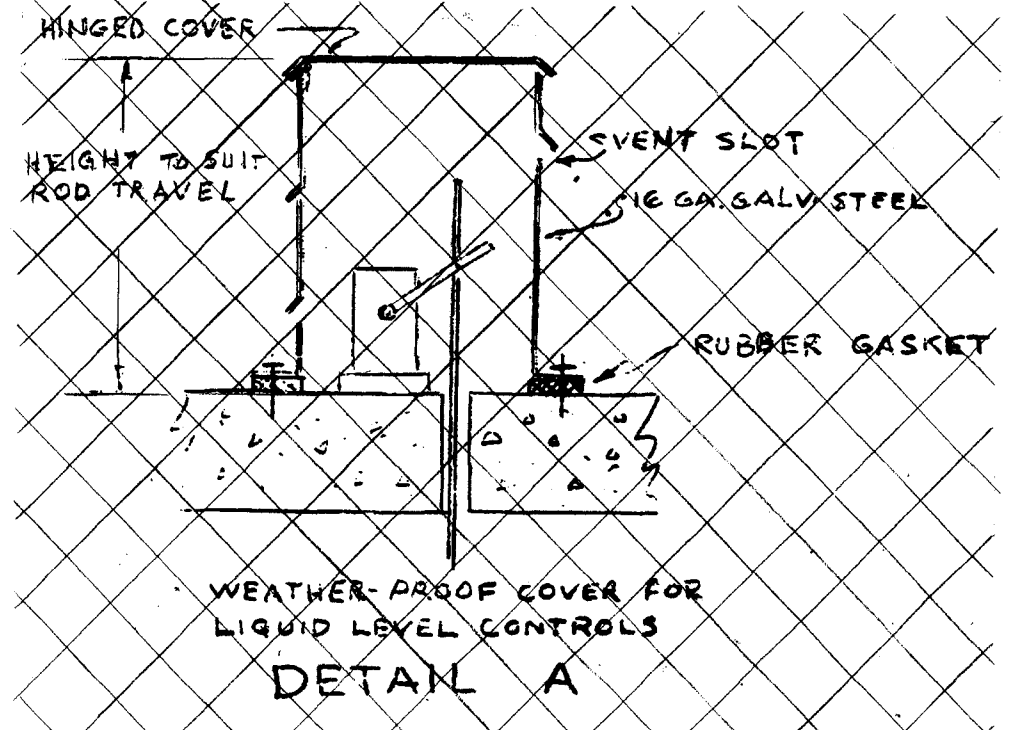
SINGLE LINE DIAGRAM



SECTION E-E
SCALE: 1/2\"/>

DEMOLITION NOTES:

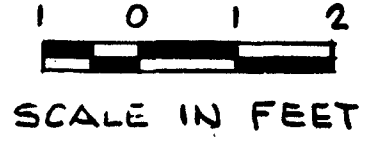
1. REMOVE ALL PIPING AND ELECTRICAL EQUIPMENT.
2. (R) INDICATES ITEM/SYSTEM/STRUCTURE TO BE ABANDONED/REMOVED PER SPECIFICATIONS.



DETAIL A

EQUIPMENT SCHEDULE							
TYPE	HP	RRM	QPH	TDM	DISC SW	ELEC. CHARG.	REMARKS
SUMP PUMP	1 1/2	-	18.0	15	1 1/2	120V	SUBMERSIBLE TYPE BUILT IN CHECK VALVE & FLOAT
DRYWELL PUMP	15	1750	400	69.5	4	208V-60-3P	VERTICAL TYPE MOTOR BE NEMA
COMMUNICATOR	1 1/2	1750	400	-	-	208V-60-3P	"

NOTE: MOTOR HP RATINGS SHOWN ARE MINIMUM REQUIRED CONTRACTOR SHALL SUPPLY MOTORS RECOMMENDED BY EQUIPMENT MANUFACTURERS.



SCALE IN FEET

NT073-0116

SYMBOL	DESCRIPTION	DATE	APPROVED
UNITED STATES ARMY - FORT DIX DIRECTORATE OF PUBLIC WORKS FORT DIX, NEW JERSEY 08640			
DRAWN N.A. DESIGNED N.A. CHECKED JCM FP&P DIV B&G DIV UTL. DIV USING AGENCY	NEW WASTEWATER LIFT STATION AND FORCE MAIN SEIVERS-SANDBERG U.S. ARMY RESERVE CENTER PEDRIKKTOWN, NEW JERSEY DEMOLITION OF PUMP STATION 002		
RECOMMENDED: Chief Engineering, plans & SERVICES APPROVED:	SCALE: AS NOTED DATE: OCT 25, 1998 PR. NR: GM-00036-5P	DRAWING NUMBER F- PLATE D. 8 SHEET 9 OF 18	

13-05-37389