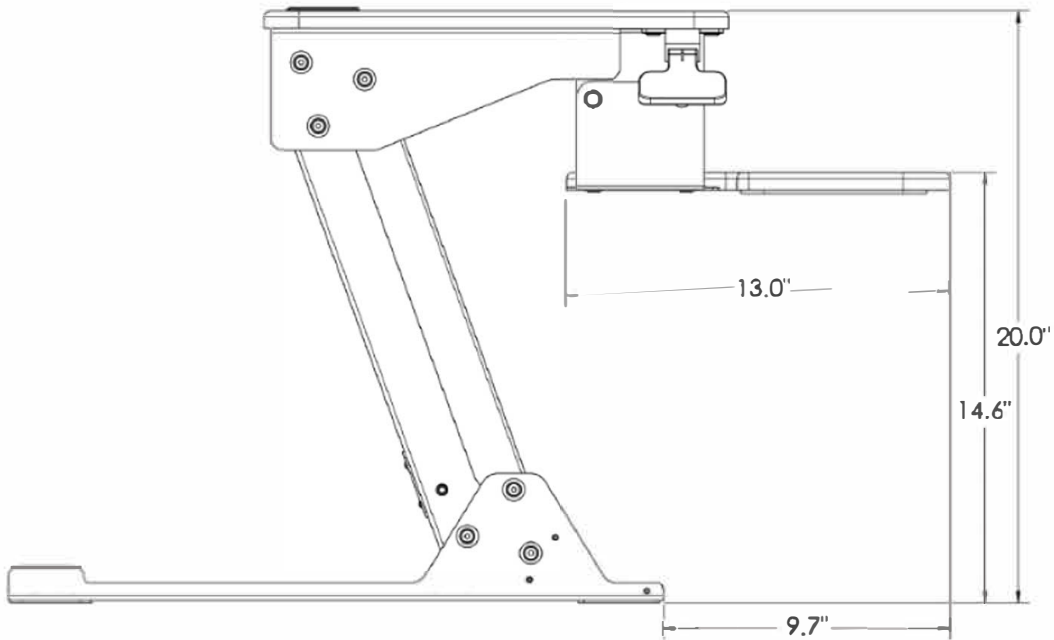
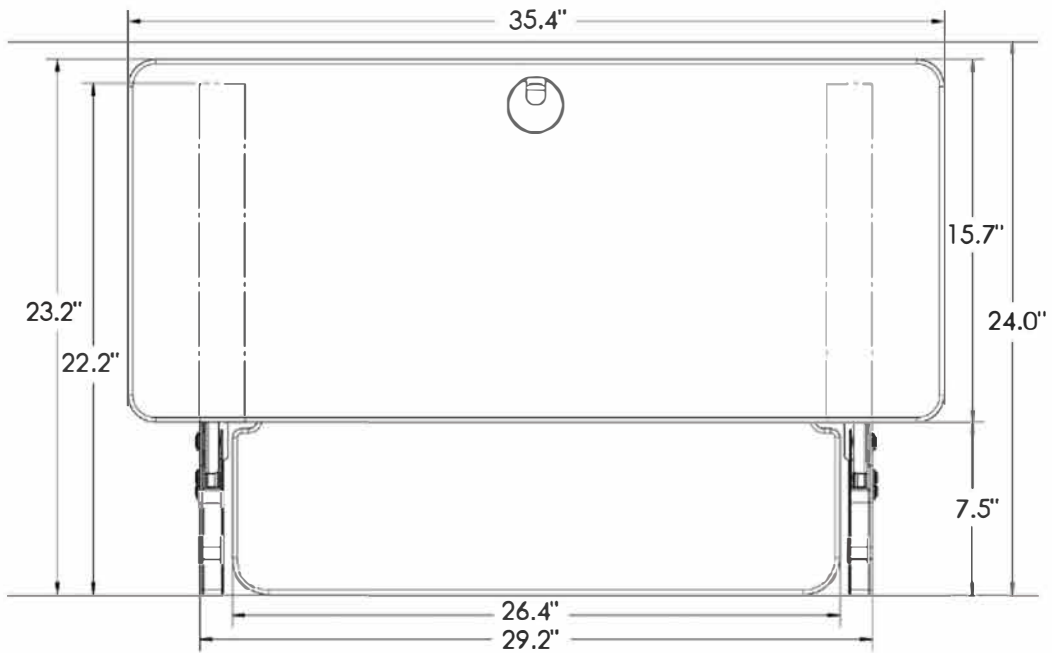


Sit-Stand Workstations

Desktop Sit-Stand Workstation Adjustable, Black | NSN: 7110-01-681-0786



NSN	eCommerce Product Name				
7110-01-681-0786	Desktop Sit-Stand Workstation				
Product Details					
Color	Size	Type	U/I	MOQ	
Black	35.4" wide, 40-pound capacity	NA	EA	1	
Shipping Information					
Packaged Height	Packaged Width	Packaged Length/Depth	Packaged Weight	Quantity Per U/I	UPC
9	36	46	54	1	806229508033
Master Carton Height	Master Carton Width	Master Carton Length/Depth	Master Carton Weight	Master Carton Units	Master UCC
9	36	46	54	1	100806229508033
Pallet Height	Pallet Width	Pallet Length/Depth	Pallet Weight	Pallet Units	Harmonized Tarriff Code (HTC)
48	40	48	1000	4	



Corner Desktop Sit-Stand Workstation

Adjustable, Black | NSN: 7110-01-692-5299



NSN	eCommerce Product Name				
7110-01-692-5299	Corner Desktop Sit-Stand Workstation				
Product Details					
Color	Size	Type	U/I	MOQ	
Black	42" wide, 35-pound capacity	Corner Unit	EA	1	
Shipping Information					
Packaged Height	Packaged Width	Packaged Length/Depth	Packaged Weight	Quantity Per U/I	UPC
9	36	46	54	1	806229508033
Master Carton Height	Master Carton Width	Master Carton Length/Depth	Master Carton Weight	Master Carton Units	Master UCC
9	36	46	54	1	100806229508033
Pallet Height	Pallet Width	Pallet Length/Depth	Pallet Weight	Pallet Units	Harmonized Tarriff Code (HTC)
48	40	48	1000	4	



Features	Benefits
Fully Assembled	No tools required, simply place on desk
Weighs 35-42lbs.	Allows for easy installation and moving from desk-to-desk
Fits 90° Corner Desk	Maximize functionality of traditional workspace in the desk corner
Gas Assisted Height Adjustment	Smooth, quiet, and infinite adjustment possibilities, extending up to 20" above desk surface
Keyboard Tilt	Accommodates 2 x 24" monitors, laptop, or laptop with monitor
Large Work Surface	Superior ergonomics compared to single work surface units
Organized	Three built in grommet holes for cable and cord management

Ordering Information

GSA Global Supply accepts your government purchase card or direct billing through your Activity Address Code (AAC) or DoDAAC. For information on obtaining an AAC or DoDAAC, contact our Order Management Office at (800) 927-7622 or ordermgmt@gsa.gov.

Online: www.GSAGlobalsupply.gsa.gov

Available 24/7, the GSA Global Supply website gives you access to hundreds of thousands of tools, office supplies, computer products, furniture, and other items.

Telephone: (800) 525-8027 | DSN 465-1416 Available 7:30 a.m. to 8 p.m. (ET), Monday through Friday.

Fax Orders: (800) 856-7057 Available 24/7. You will receive order confirmation via fax.

FEDSTRIP/MILSTRIP: We're integrated with orders routed from DLA Transaction Services. We're also happy to accept your Standard Form 344 or DD Form 1348 by mail at: GSA Global Supply (QSDLBB) 819 Taylor St. Room 6A00 Fort Worth, TX 76102

Please ensure that a contact person and a commercial telephone number accompany all orders to expedite any necessary clarification. The office cannot return DSN or Autovon calls. For

FEDSTRIP/MILSTRIP orders, please enter the name and phone number in the "Mark For" section of your requisition.

Please be sure to include a supplemental address if the signal code (Block 51 of Standard Form 344) is anything other than "A". Please also verify that your supplemental address is accurate and includes a telephone number and/or point of contact if possible.

Additional Ordering Options: GSAAAdvantage!®: www.gsaadvantage.gov Available 24 hours a day, seven days a week. The same user ID and password can be used on both the GSA Global Supply website and GSAAAdvantage! The contractor field will indicate "GSA Global Supply."

DOD EMALL: Available 24/7. All GSA Global Supply items appear on the Defense Logistics Agency's DOD EMALL site. Customer must use their DoDAAC to purchase GSA items. The supplier field will indicate "GSA MILSTRIP" if the product is offered by GSA Global Supply.

Contract Prices: Please refer to www.globalsupply.gsa.gov for the most current pricing.

Delivery Conditions: Delivery to a location with a loading dock.

Installation: Installation available for CONUS only. The product ships to a location that has a loading dock. If inside delivery or installation is required, please note so on the order form by following the "Special Requests" guidelines posted to the [Furniture NSN webpage](#). Follow-up your special request

with an email to furniture@gsa.gov with your needs to ensure appropriate action is taken. Additional charges may apply.

Warranty: 2-Year Limited Warranty

The warranty covers defects in materials and workmanship. The warranty does not apply to defects resulting from misuse, damage or abuse, normal wear and tear, accident, modification, improper installation or maintenance, or third-party materials. The warranty is not transferable and only covers Buyer's immediate purchasers of the products.

Resolution of Problems with Orders: The GSA National Customer Service Center (NCSC) is the point to which all discrepancy reports (as well as quality deficiency reports) should be addressed for processing: GSA National Customer Service Center (6FR) 1500 East Bannister Road Kansas City, MO 64131 Toll-Free Phone: (800) 488-3111 DSN: 465-1416