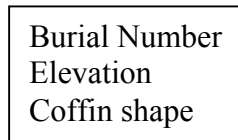


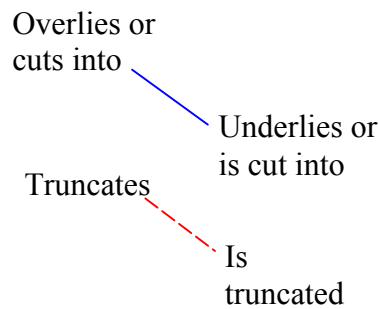
Appendix I: Stratigraphically Related Burials (Series Charts)

Legend for diagrams:

Each box represents a burial. Within the box are listed the burial number, elevation (above sea level), and coffin shape if known. The coffin shape was noted only if considered potentially diagnostic of chronology.



The boxes are positioned on the diagrams so as to roughly represent their positions in the ground in cross-section. The lines indicating stratigraphic position (implying the sequence of interments) are to be read from top to bottom, so that a pair of burials linked by a line have the later burial at the top of the line and the earlier burial at the bottom of the line.

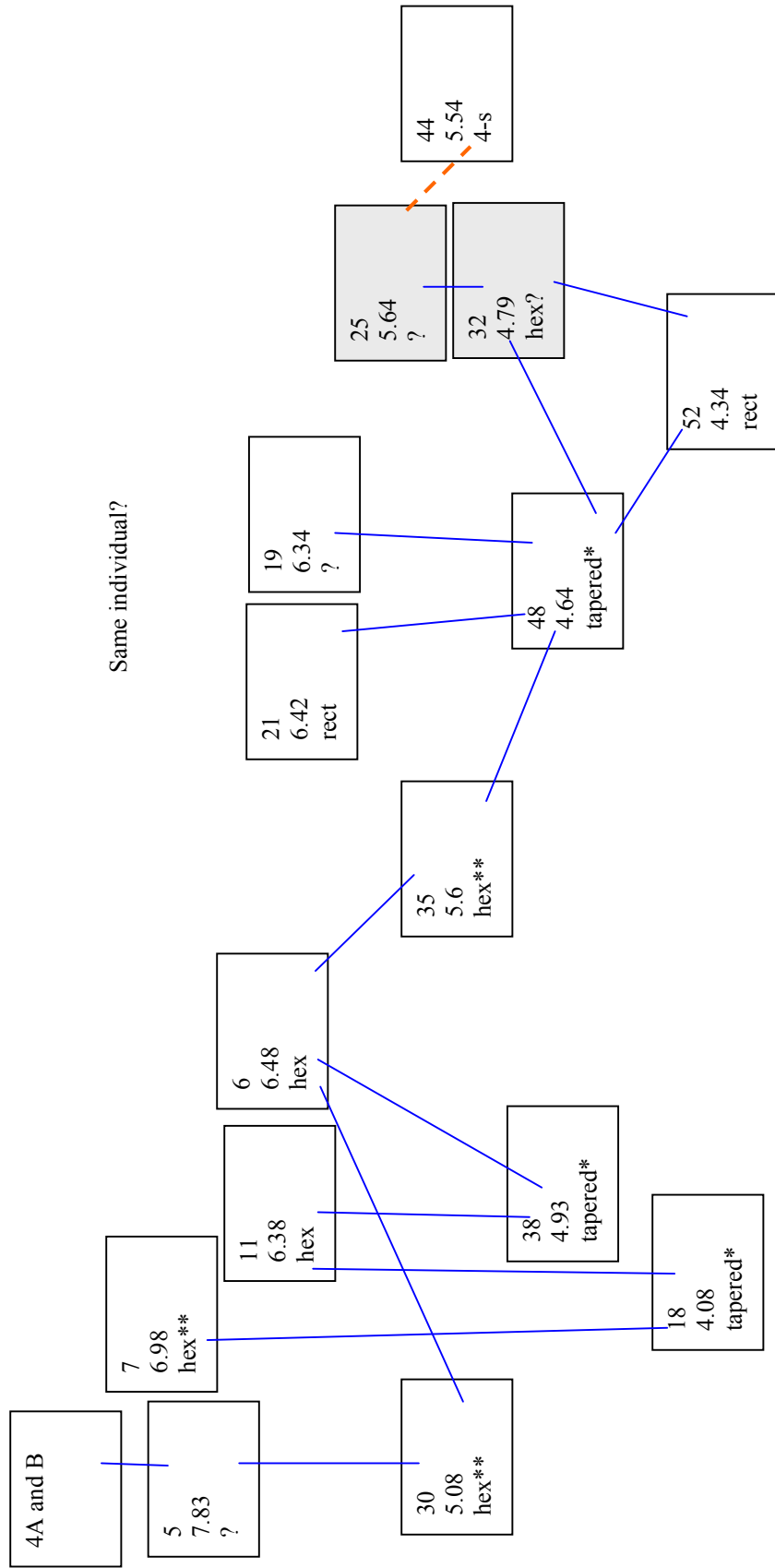


Coffin shape:

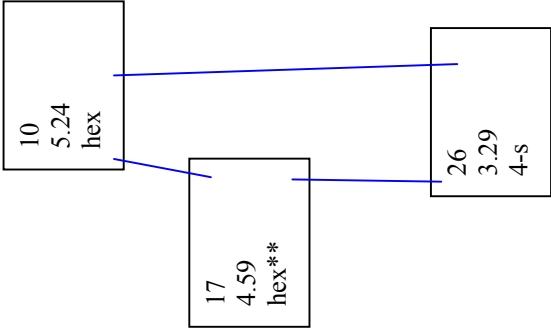
- hex = “hexagonal” (shouldered)
- hex** = child with hexagonal coffin
- 4-s = four-sided
- rect. = rectangular
- tapered = four-sided and tapered toward the foot, subadult
- tapered* = four-sided and tapered toward the foot, adult
- ? = indeterminate shape
- nc = no coffin

Shaded boxes indicate that the burials shown adjacent to each other were probably in a shared grave.

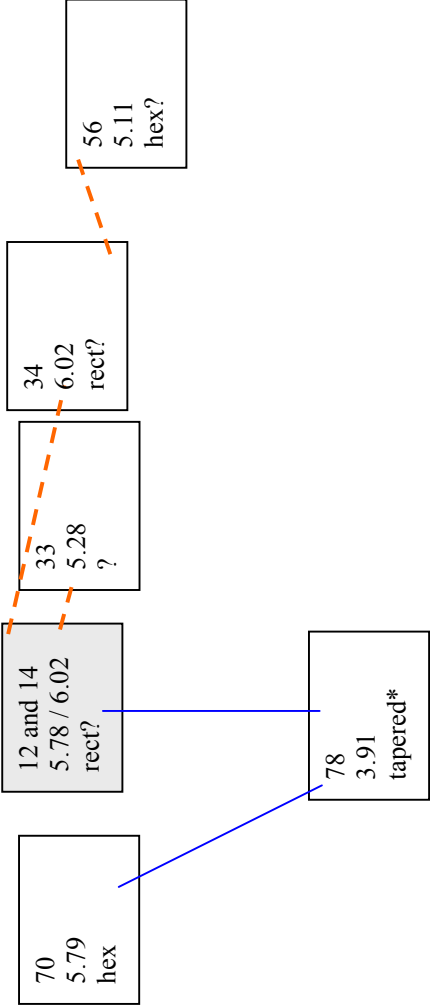
Series 1



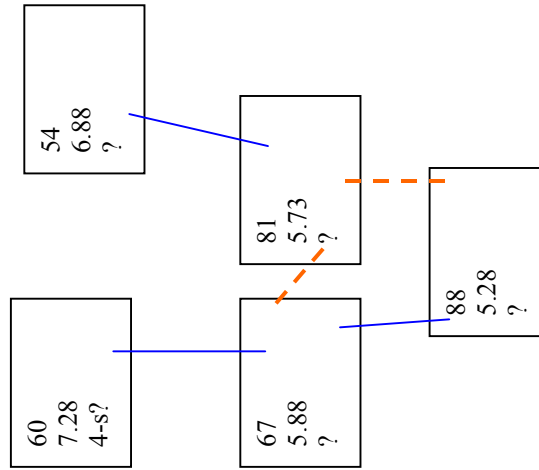
Series 2



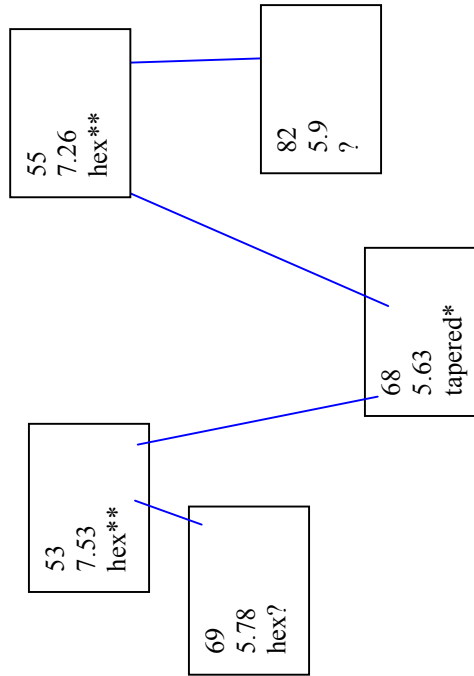
Series 3A



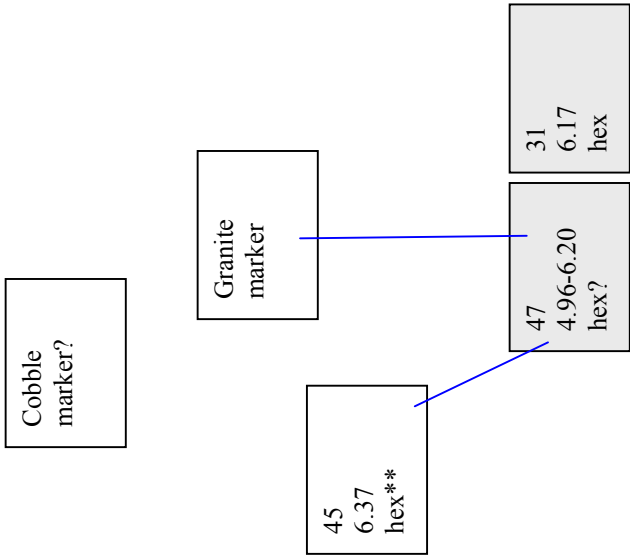
Series 4



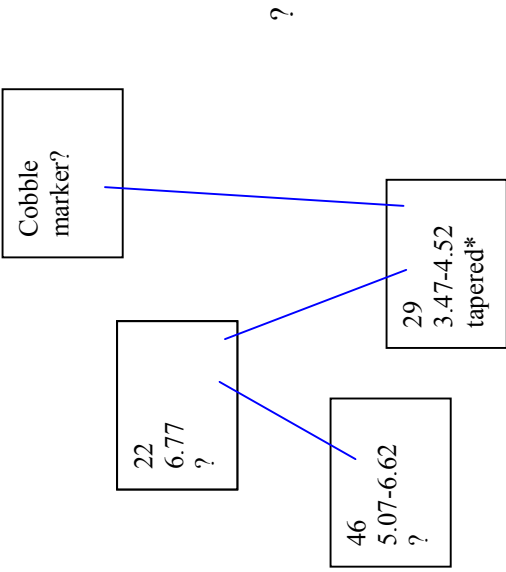
Series 3B



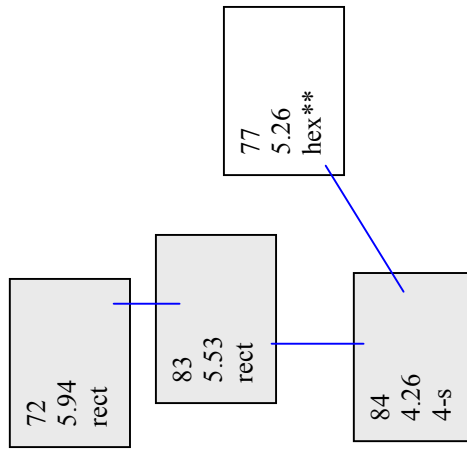
Series 6



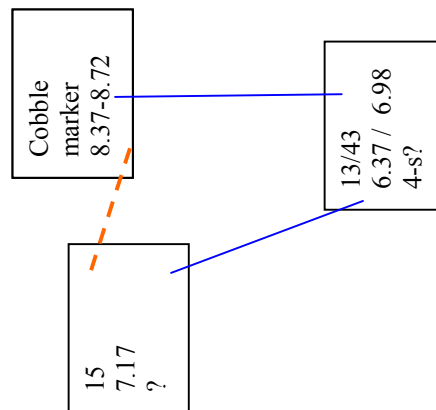
Series 5



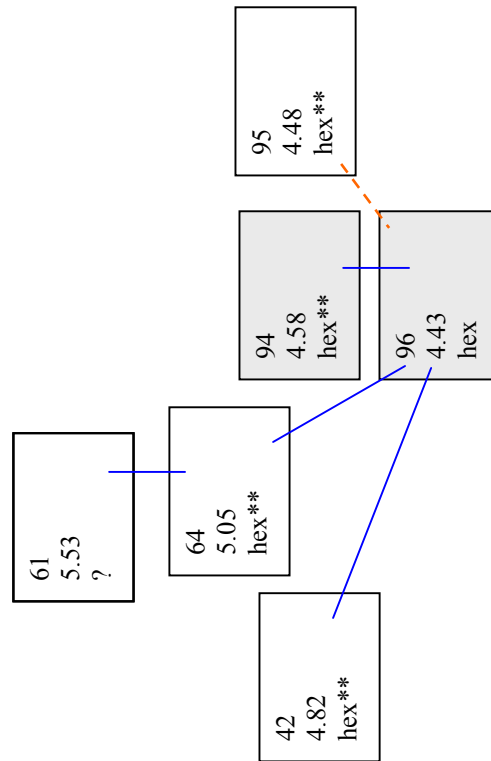
Series 8



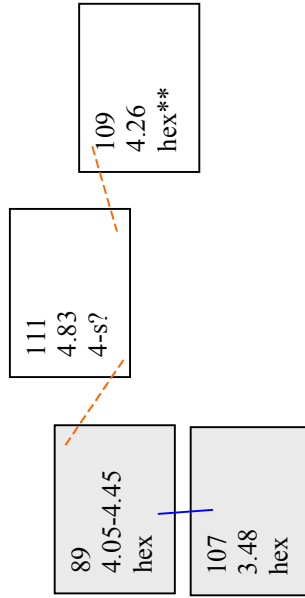
Series 7



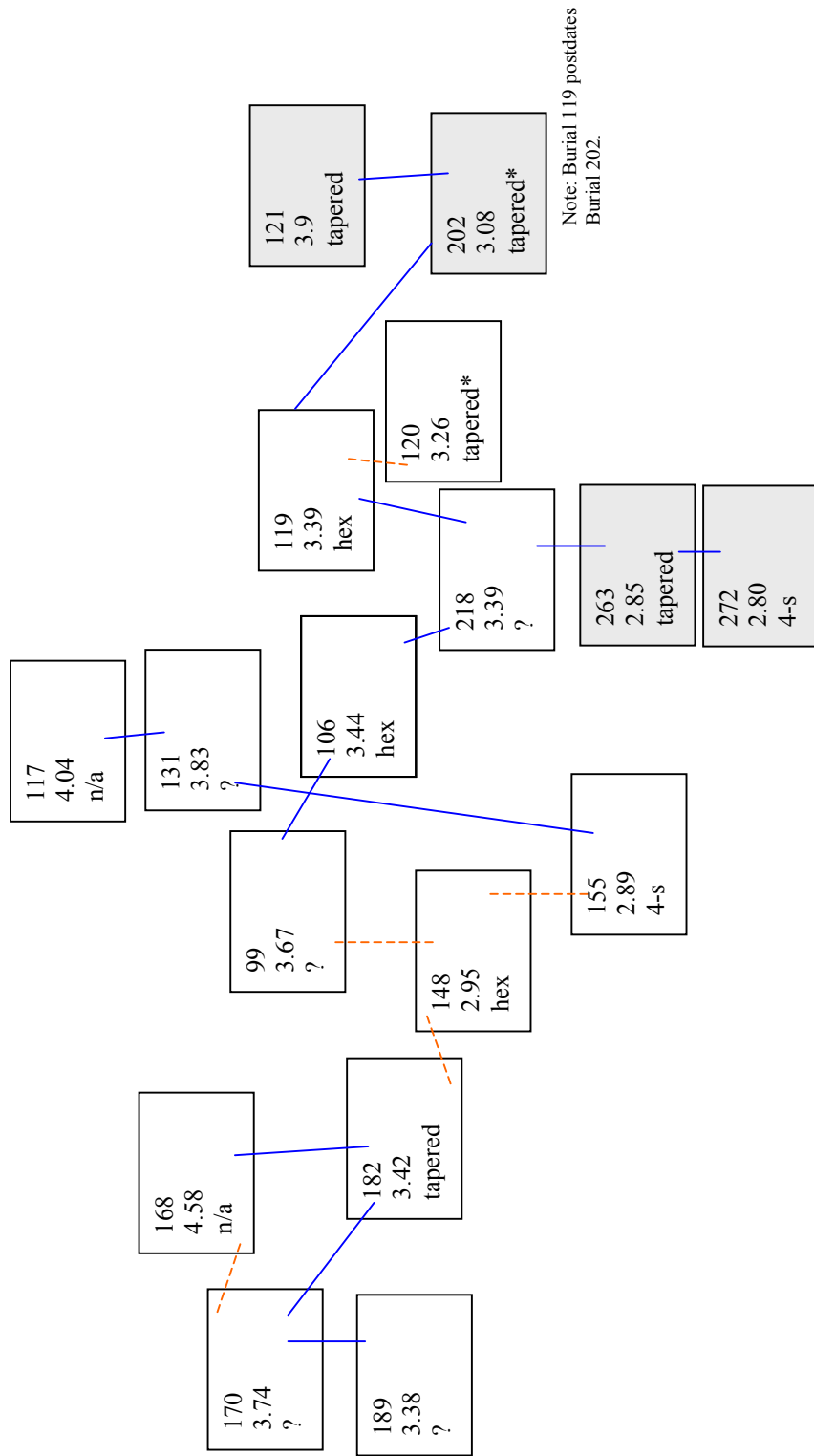
Series 9



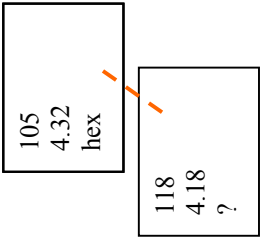
Series 10



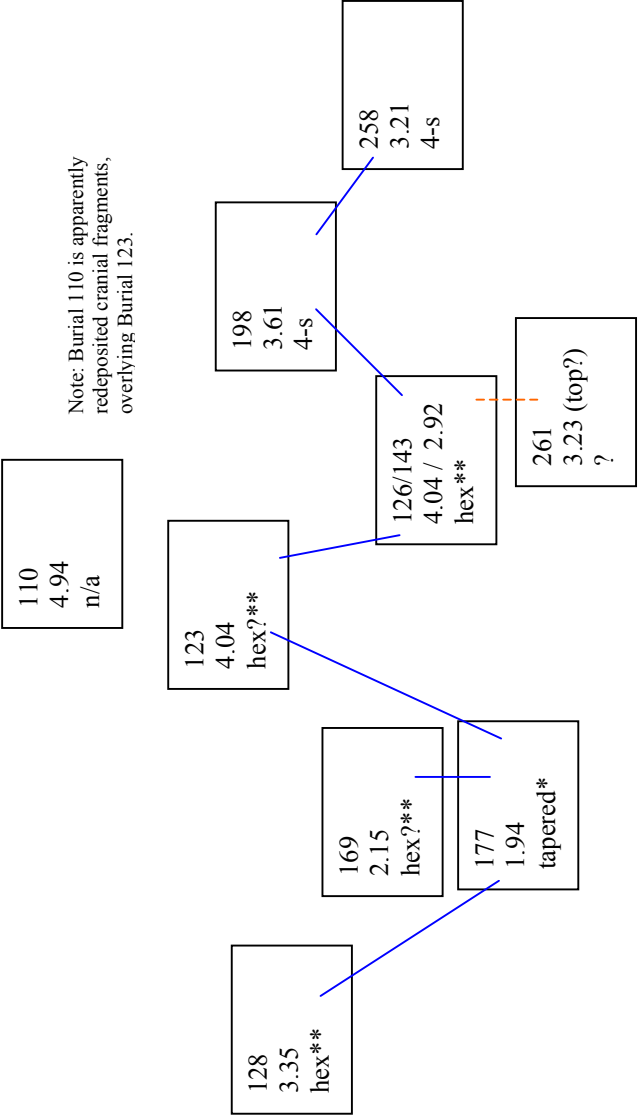
Series 11



Series 11A

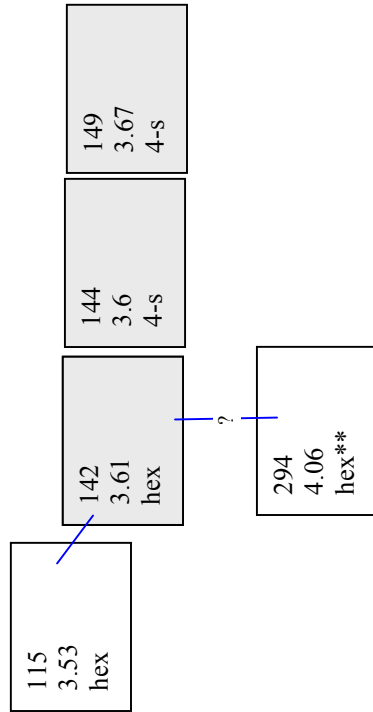


Series 11B

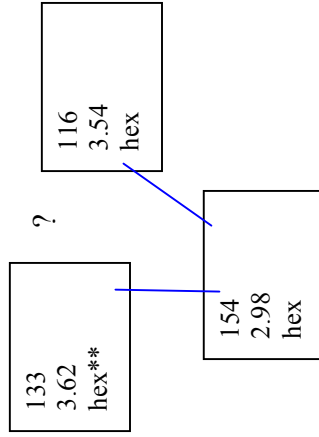


Note: Burial 110 is apparently redeposited cranial fragments, overlying Burial 123.

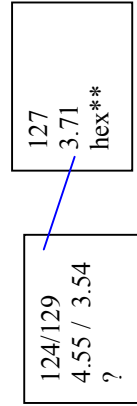
Series 12



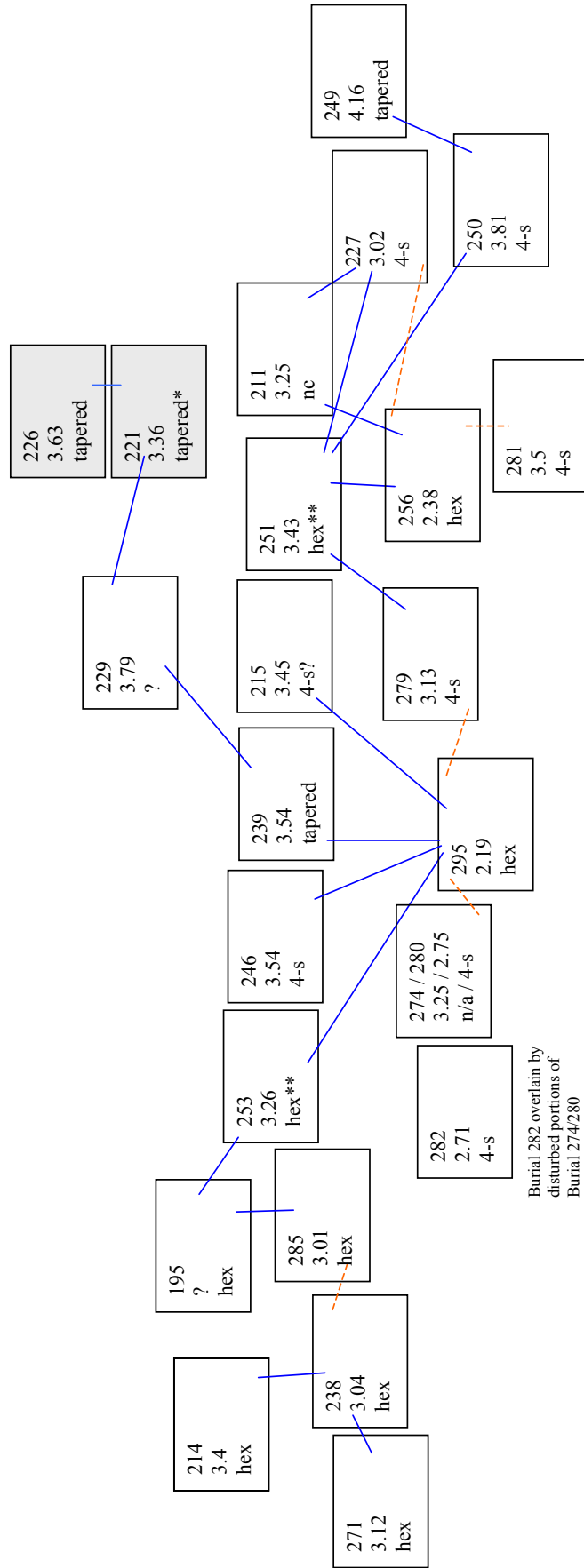
Series 13



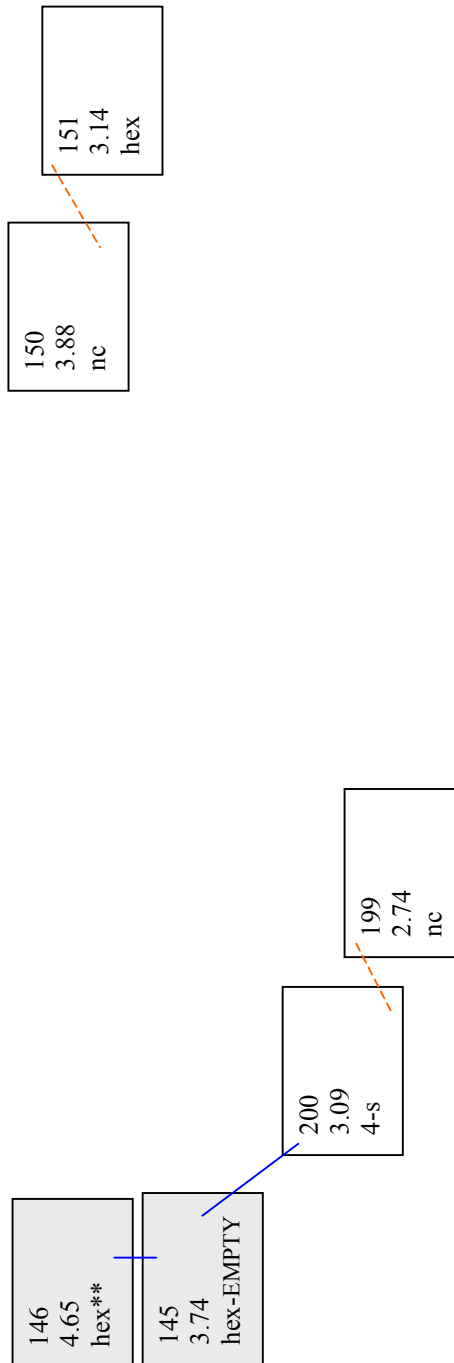
Series 14



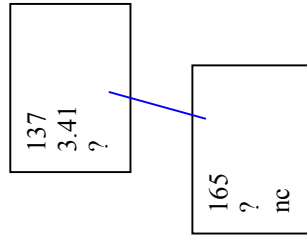
Series 15A



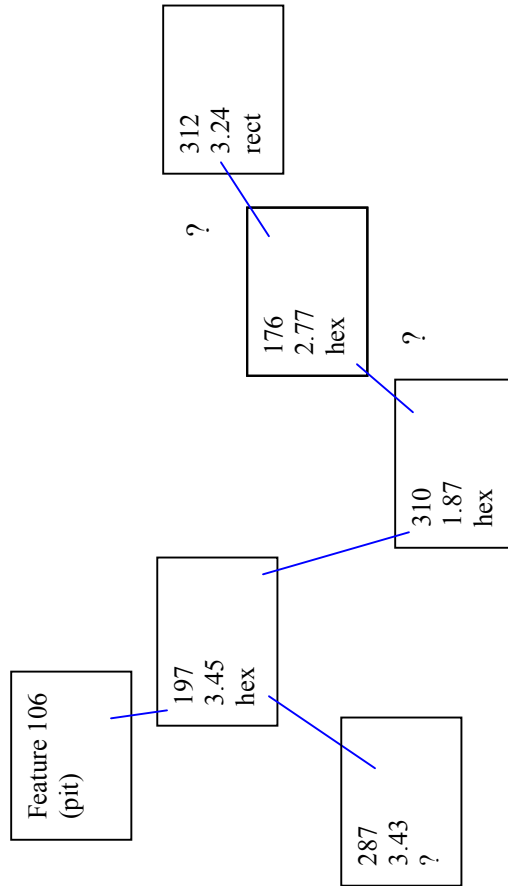
Series 16



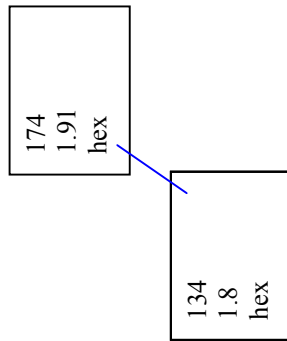
Series 18



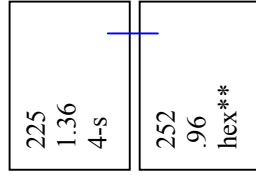
Series 17



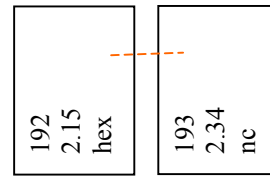
Series 19



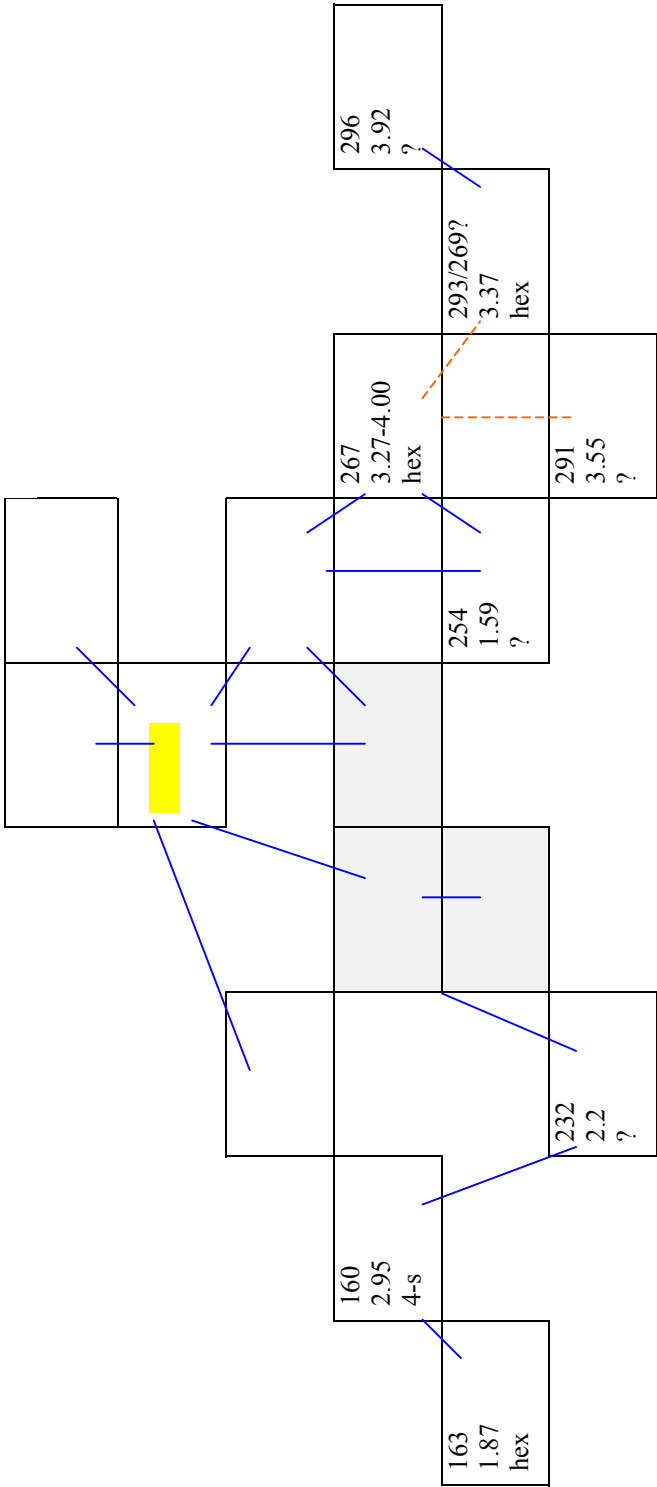
Series 20



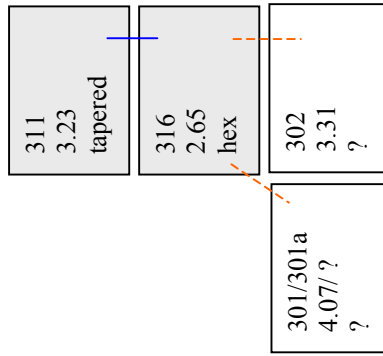
Series 21



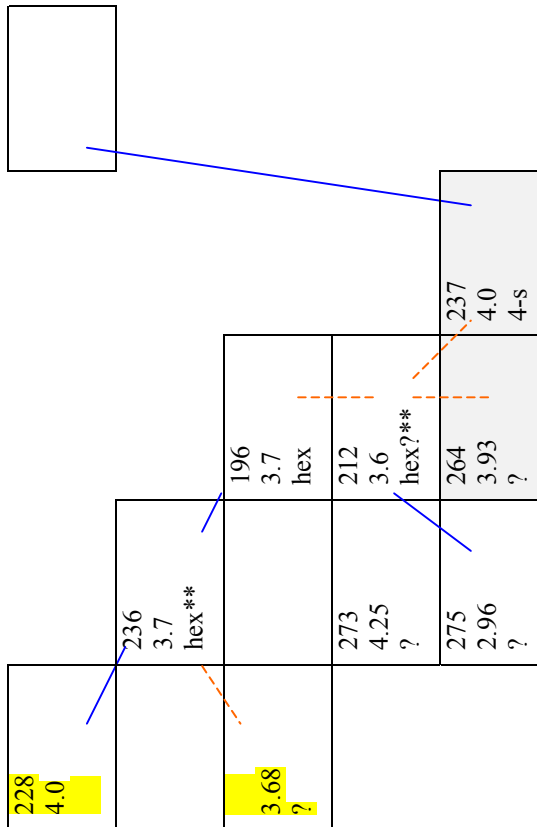
Series 22



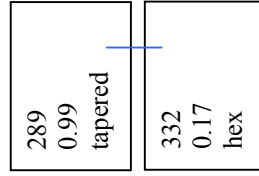
Series 24



Series 23A-B

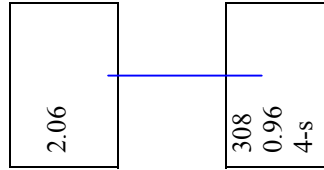


Series 26

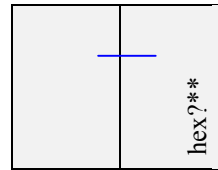


Series 25

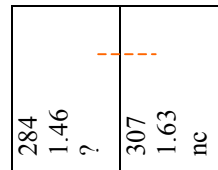
25c



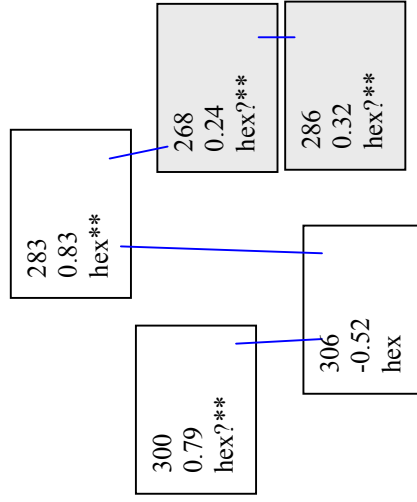
25b



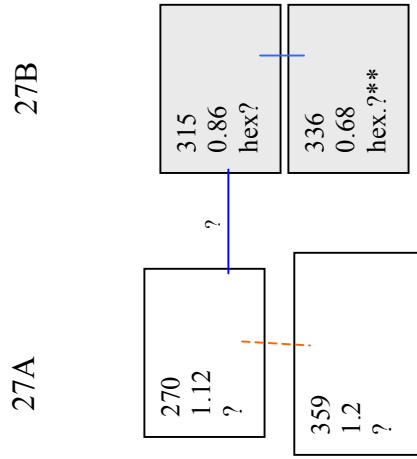
25a



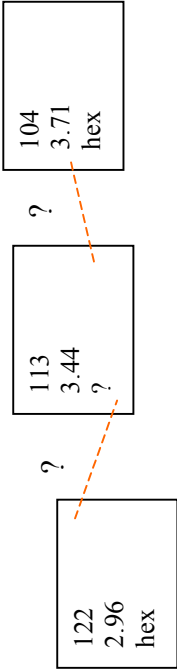
Series 28



Series 27

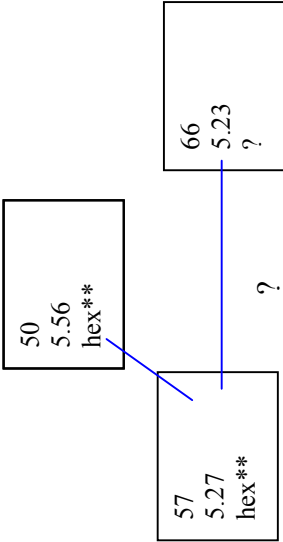


Series 30

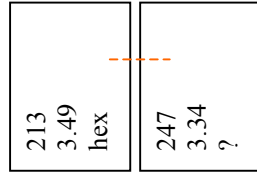


Burials 122 and 104 may have disturbed Burial 113.

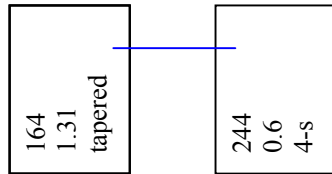
Series 29



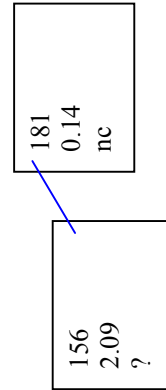
Series 32



Series 31



Series 33

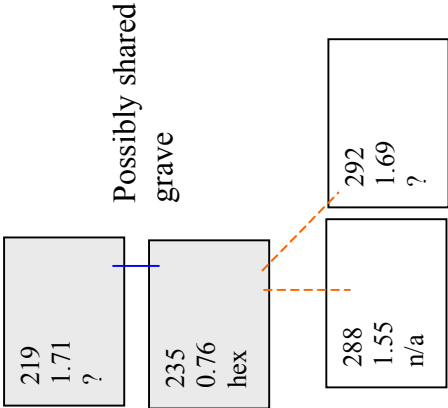


Series 34

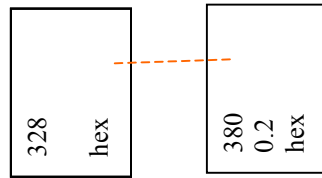
175
3.22
?

257
2.85
other

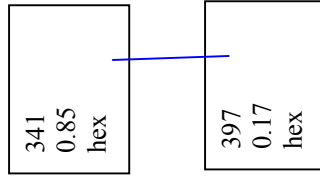
Series 35



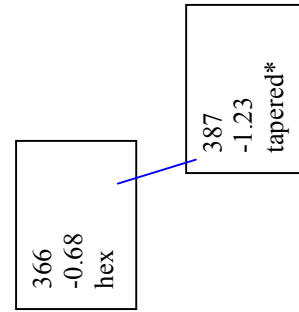
Series 36



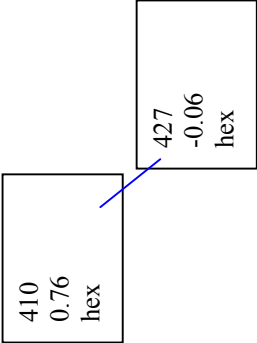
Series 37



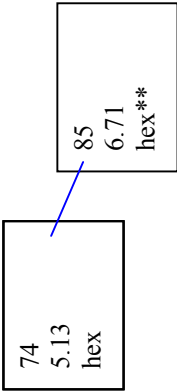
Series 38



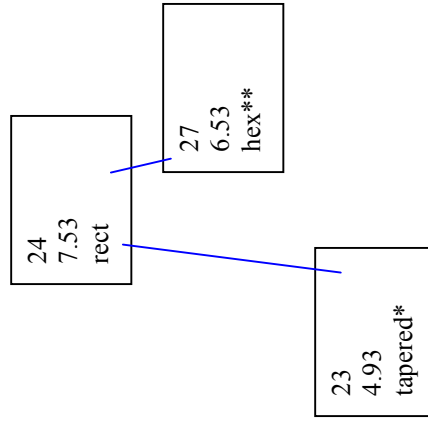
Series 40



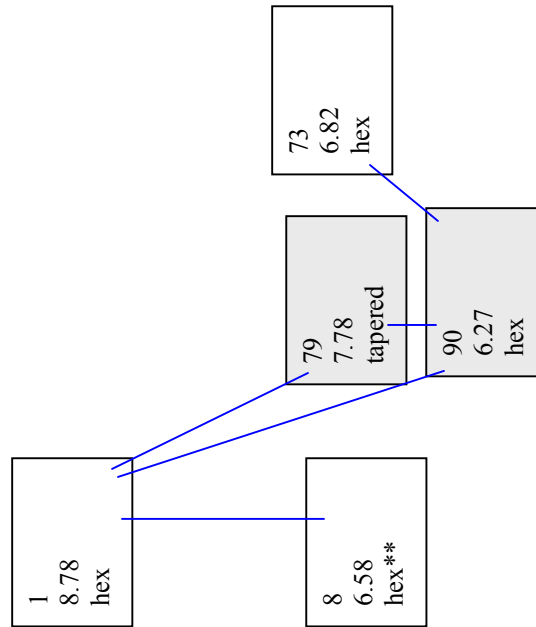
Series 39



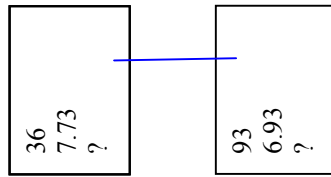
Series 42



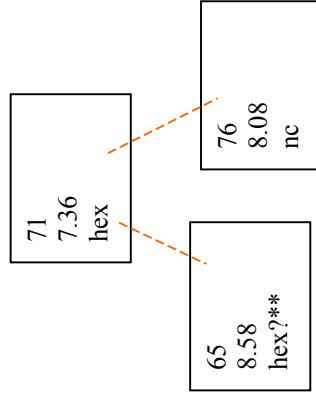
Series 41



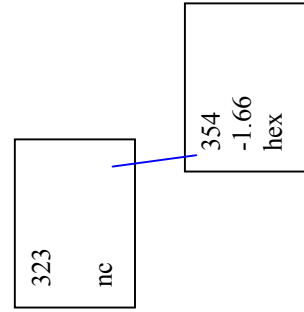
Series 43



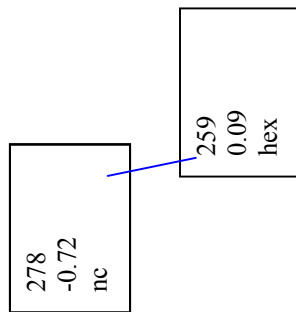
Series 44



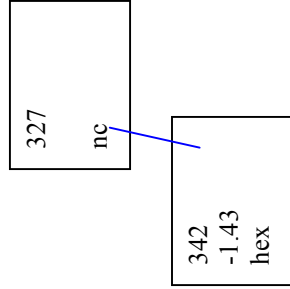
Series 45



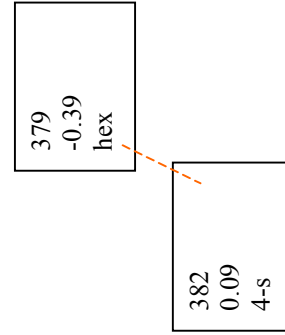
Series 46



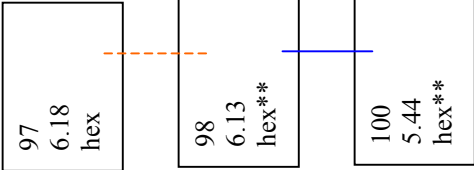
Series 47



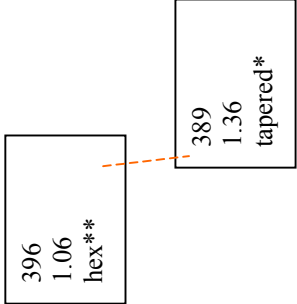
Series 48



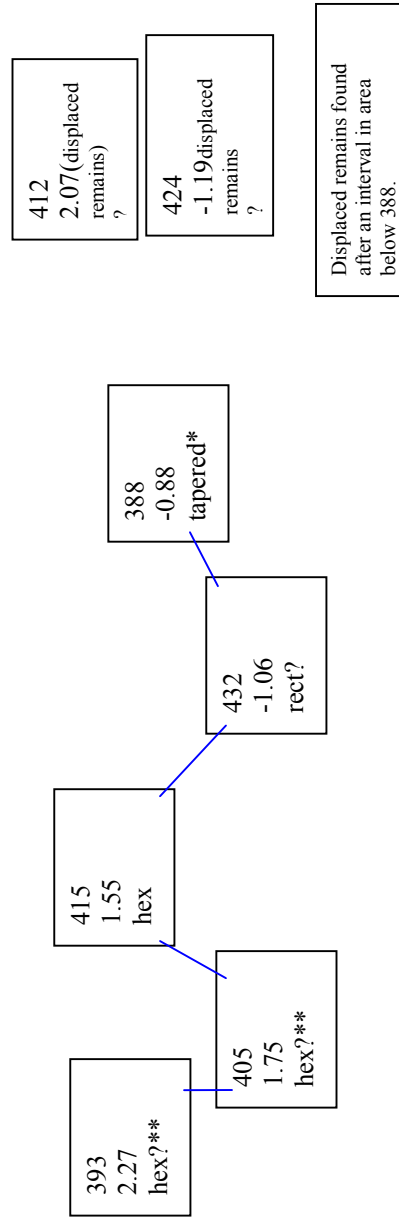
Series 51



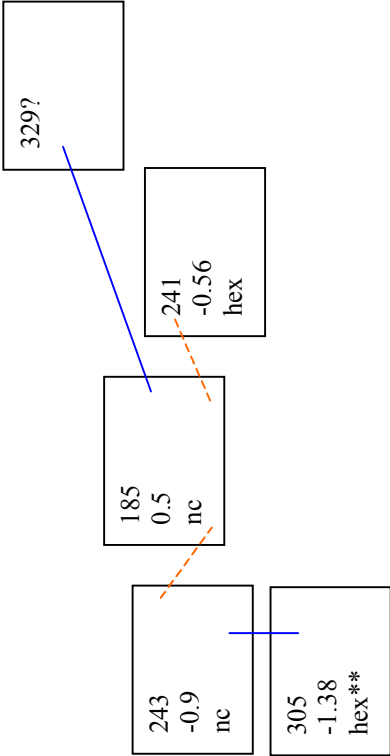
Series 50



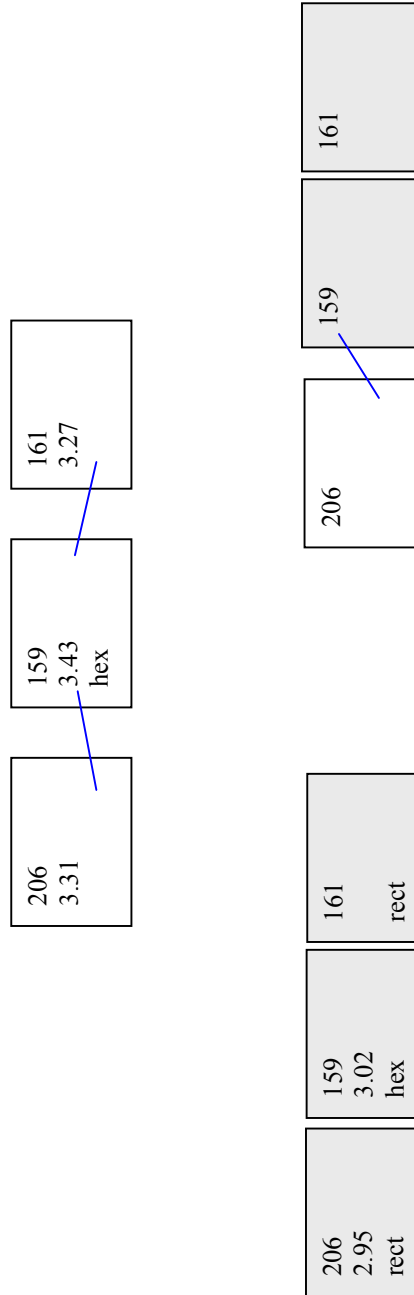
Series 52



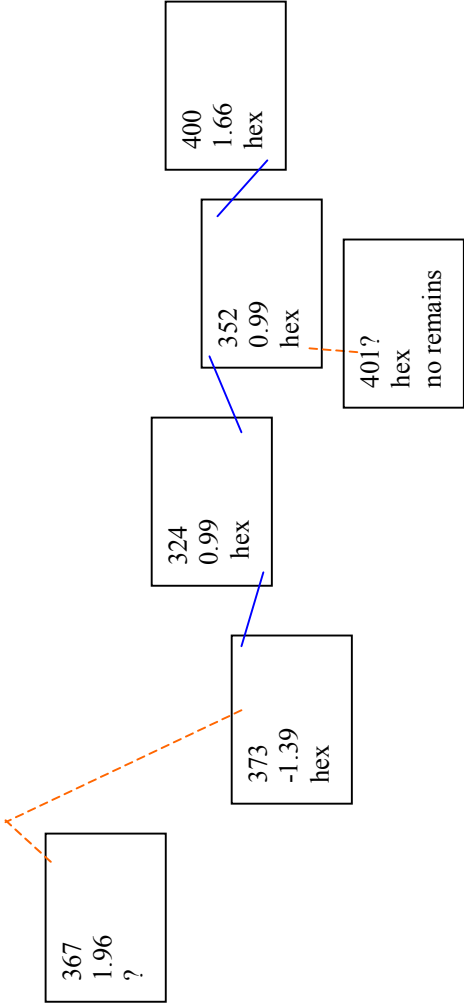
Series 53



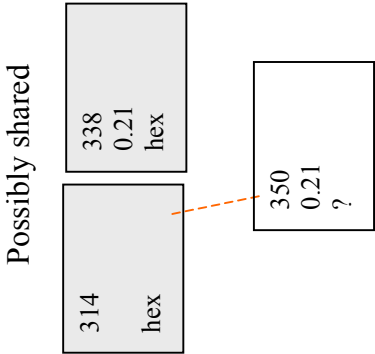
Series 54



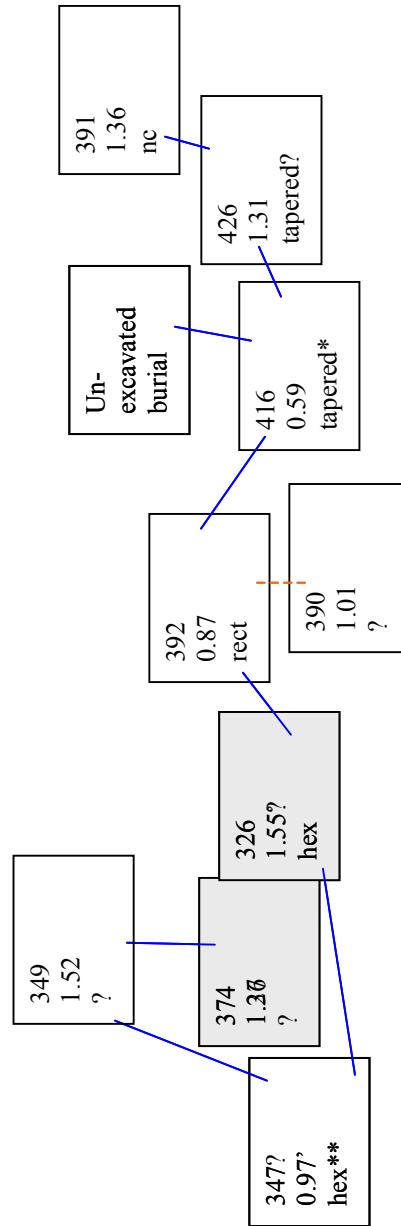
Series 56



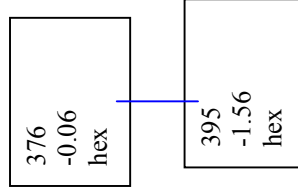
Series 55



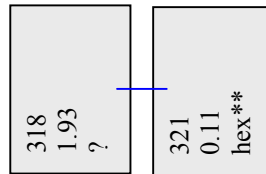
Series 57



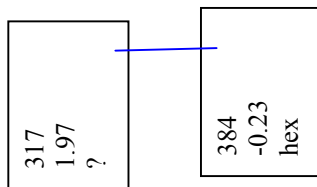
Series 59



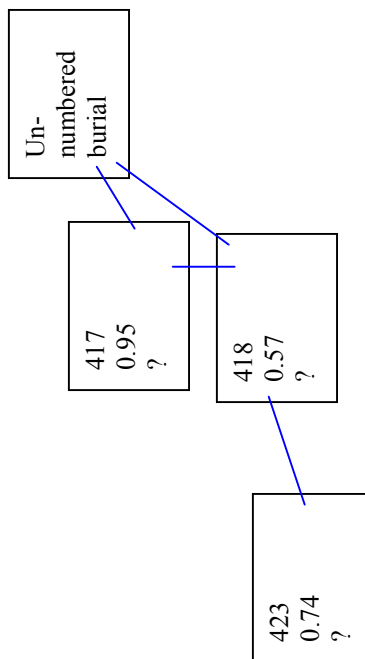
Series 58



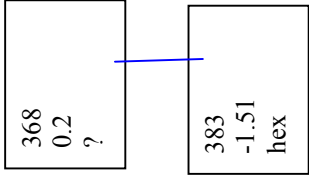
Series 61



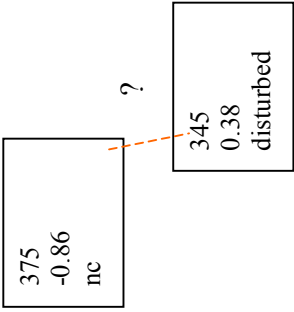
Series 60



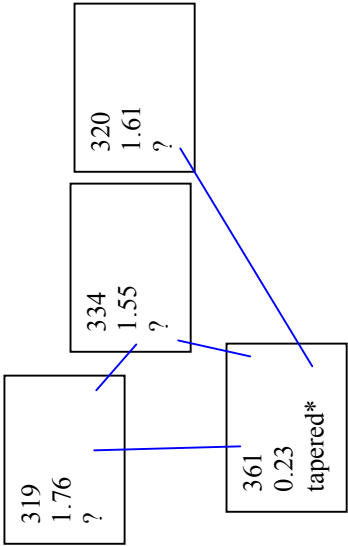
Series 63



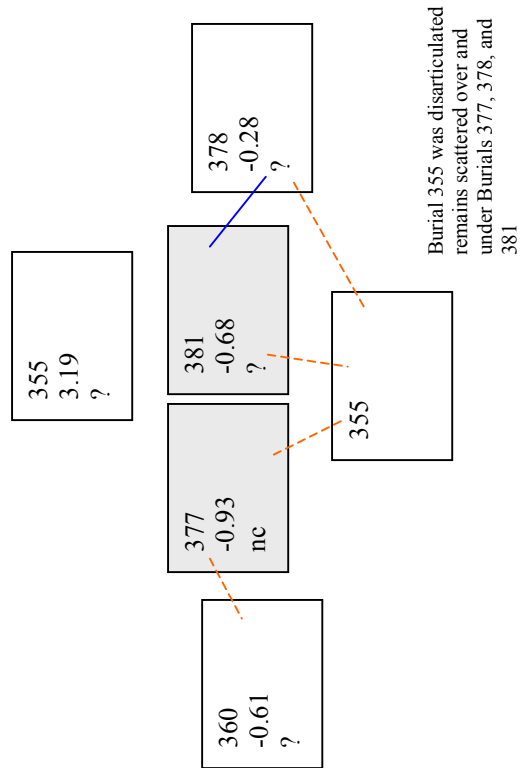
Series 64



Series 62



Series 65



Series 66

