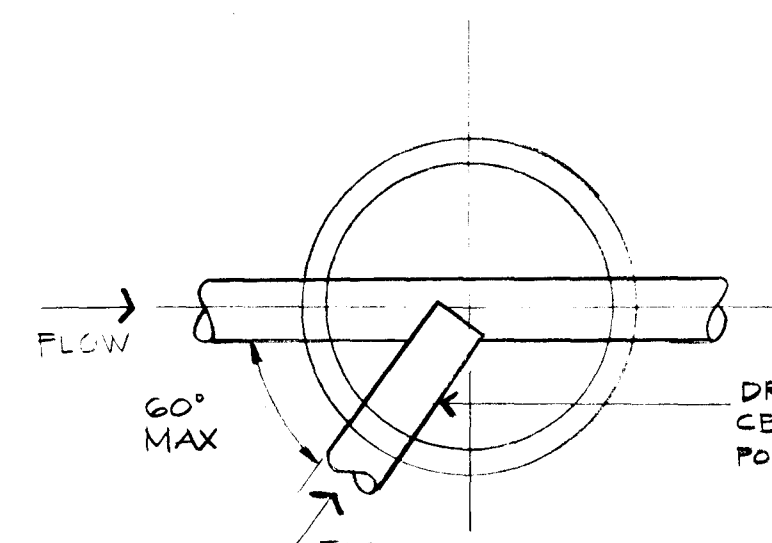


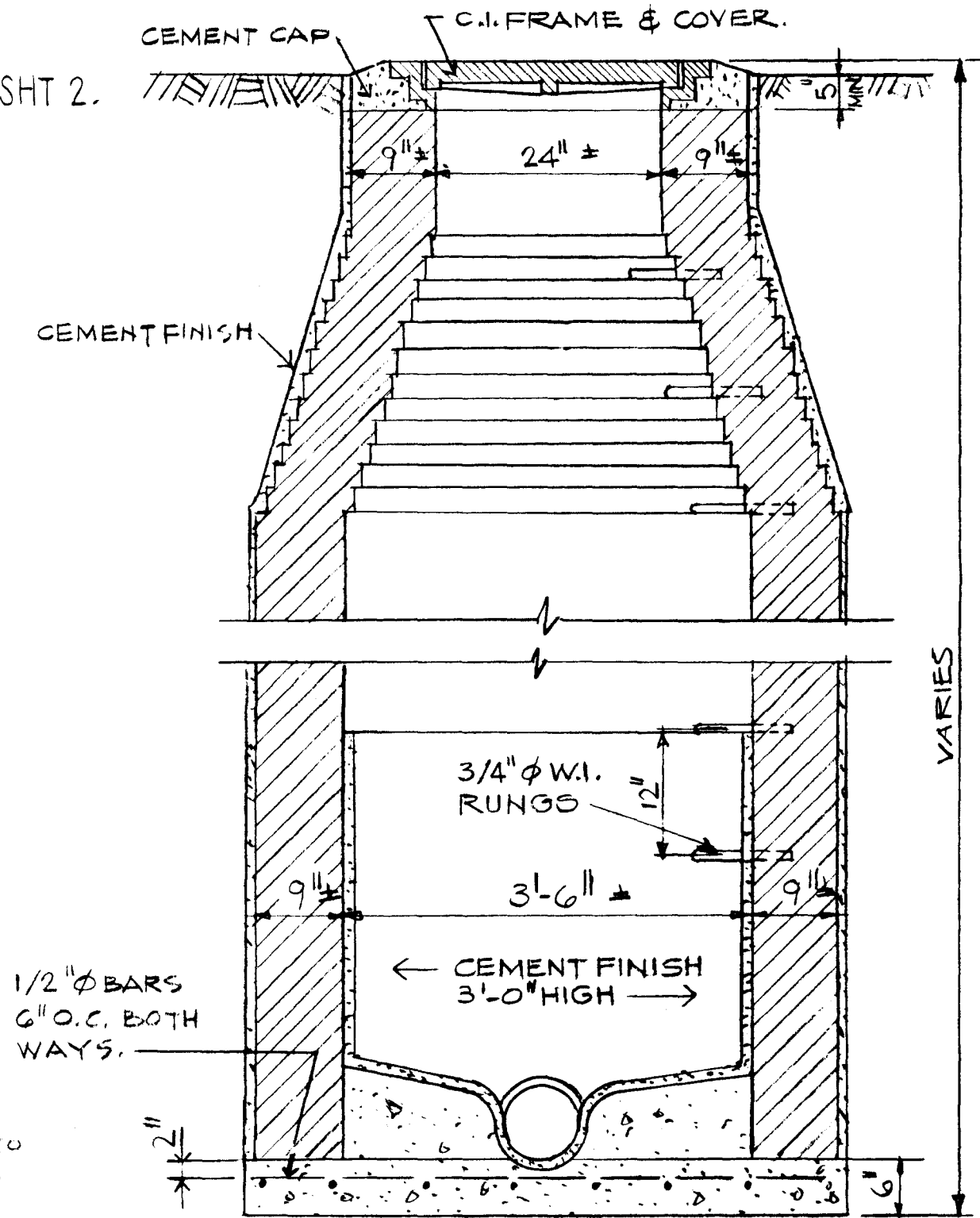
* NOTE: EXCEPTION TO NOTE 3, SHT 2.

MH #	INVERT	LOCATION
B-2A	9.49	12" INLET
B-1A	7.99	12" INLET
A-1B	5.00	12" INLET



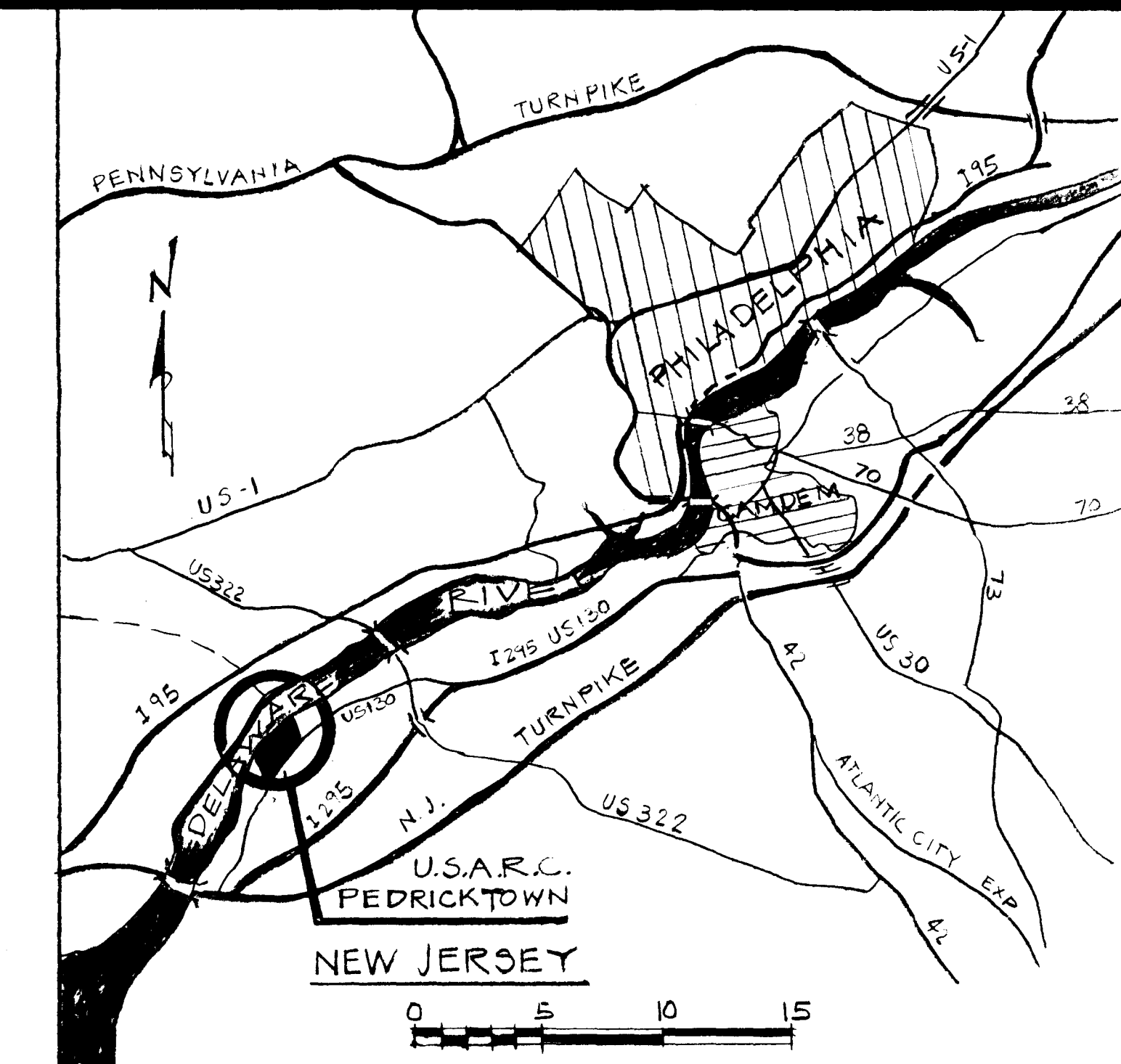
MANHOLE PLAN VIEW

NTS
NOTE: FOR NEW MANHOLES AND NEW SANITARY SEWER LINES ONLY

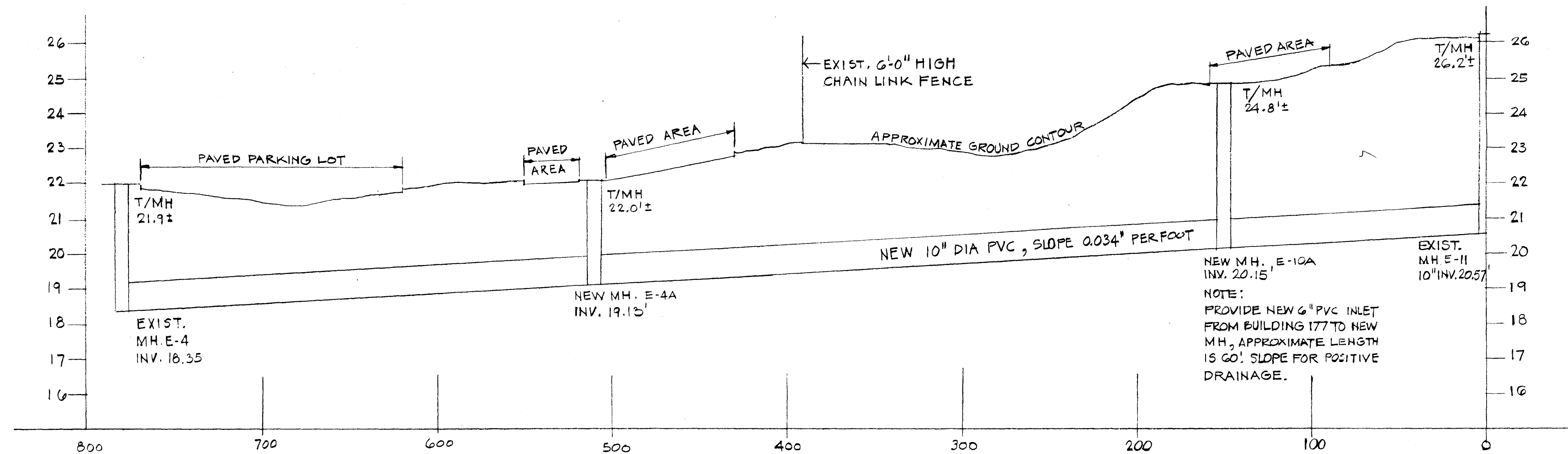


SECTION THRU MANHOLE

SCALE 3/4" = 1'-0"
NOTE: PRECAST MANHOLES WILL BE ACCEPTABLE IF APPROVED IN ADVANCE BY THE CONTRACTING OFFICER.



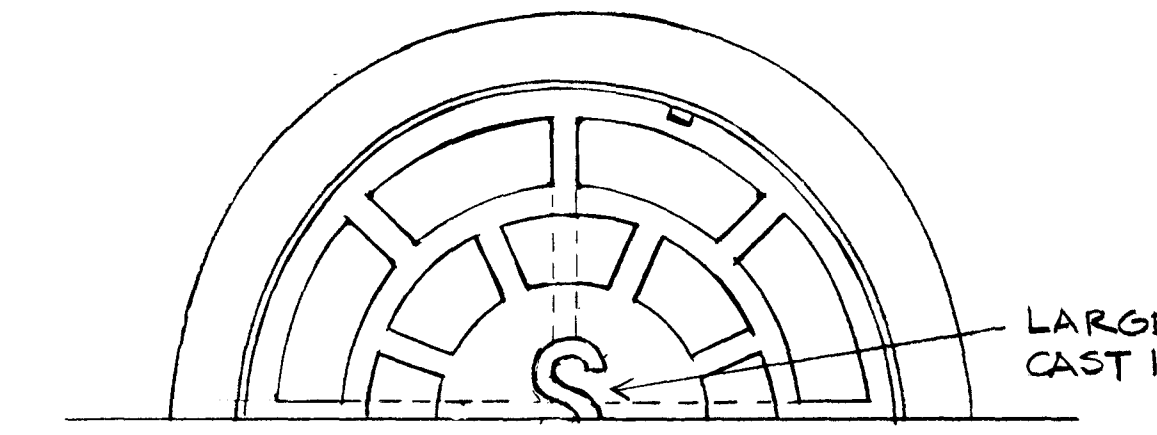
LOCATION MAP



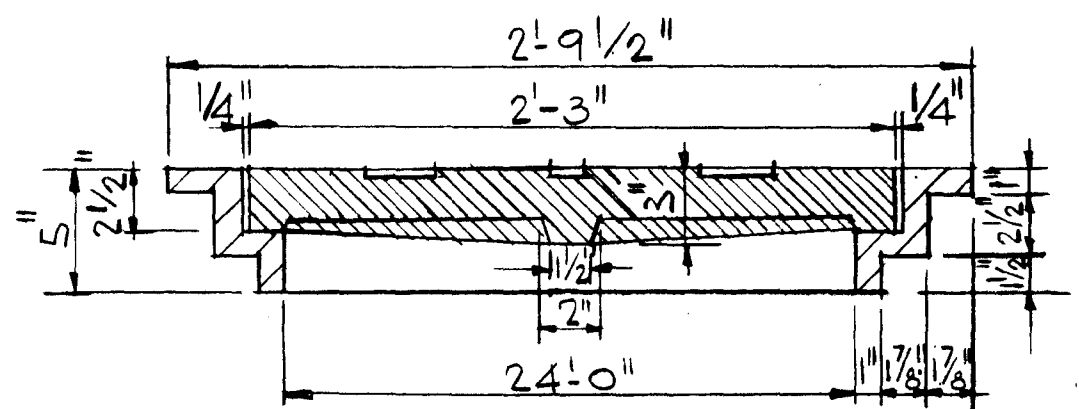
PROFILE OF SEWER

SCALE VERT. = 1" = 2'-0"
HORIZ. = 1" = 40'-0"

WEIGHT OF FRAME AND COVER = 250 - 325 lbs. (TURFED AREAS)
WEIGHT OF FRAME AND COVER = 325 - 400 lbs. (PAVED AREAS AND ALL OTHER AREAS)



HALF PLAN/MANHOLE COVER AND FRAME



SECTION/MANHOLE COVER AND FRAME

SCALE 1 1/2" = 1'-0"

NJ013_0134

SYMBOL	DESCRIPTION	DATE
REVISIONS		
UNITED STATES ARMY TRAINING CENTER AND FORT DIX DIRECTORATE OF ENGINEERING & HOUSING FORT DIX, N.J. 08640		
DRAWN	RF	SANITARY SEWER IMPROVEMENTS SIEVERS-SANDBERG USAFAC PEDRICKTOWN, NEW JERSEY
DESIGNED	BJ	
CHECKED		
FP&P DIV		
B&G DIV		
UTIL DIV	sw	SEWER PROFILE & DETAILS
USING AGENCY	MH	
RECOMMENDED	Chief Engineering Services	SCALE: AS SHOWN
APPROVED:	Director of Engineering & Housing	DATE: 04-4-89
		DRAWING NUMBER: 88-333-01
		PR. NR: GM 00333-8J
		SHEET 1 OF 3