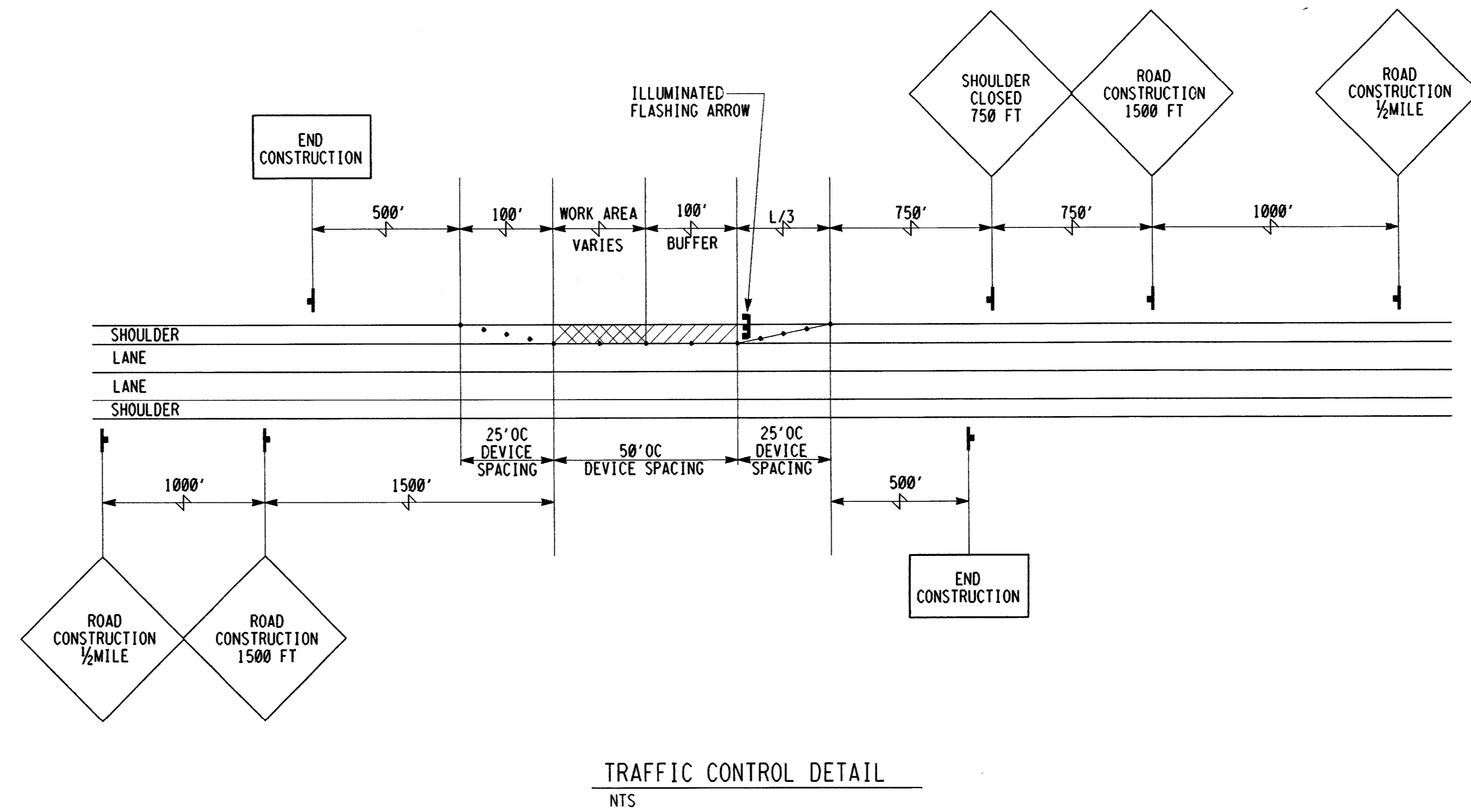
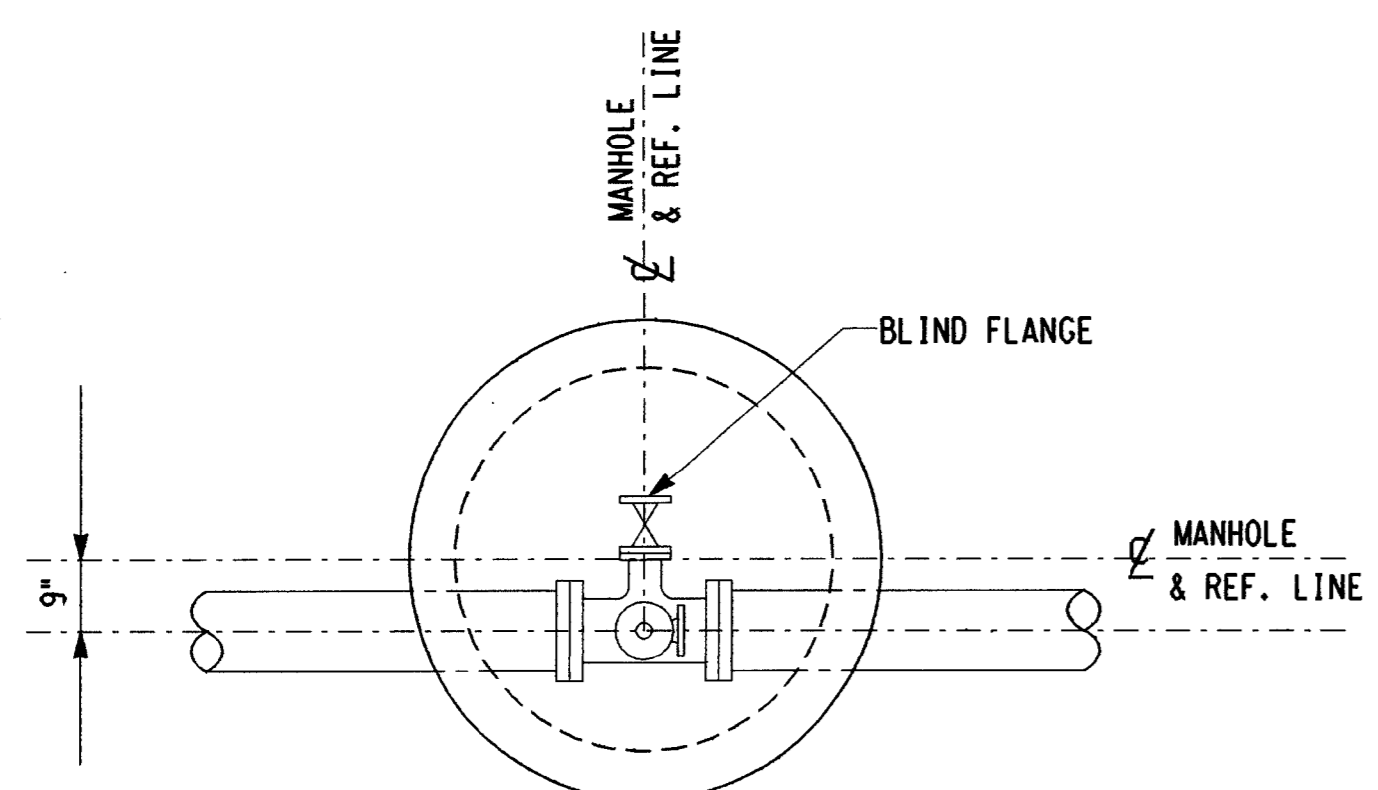


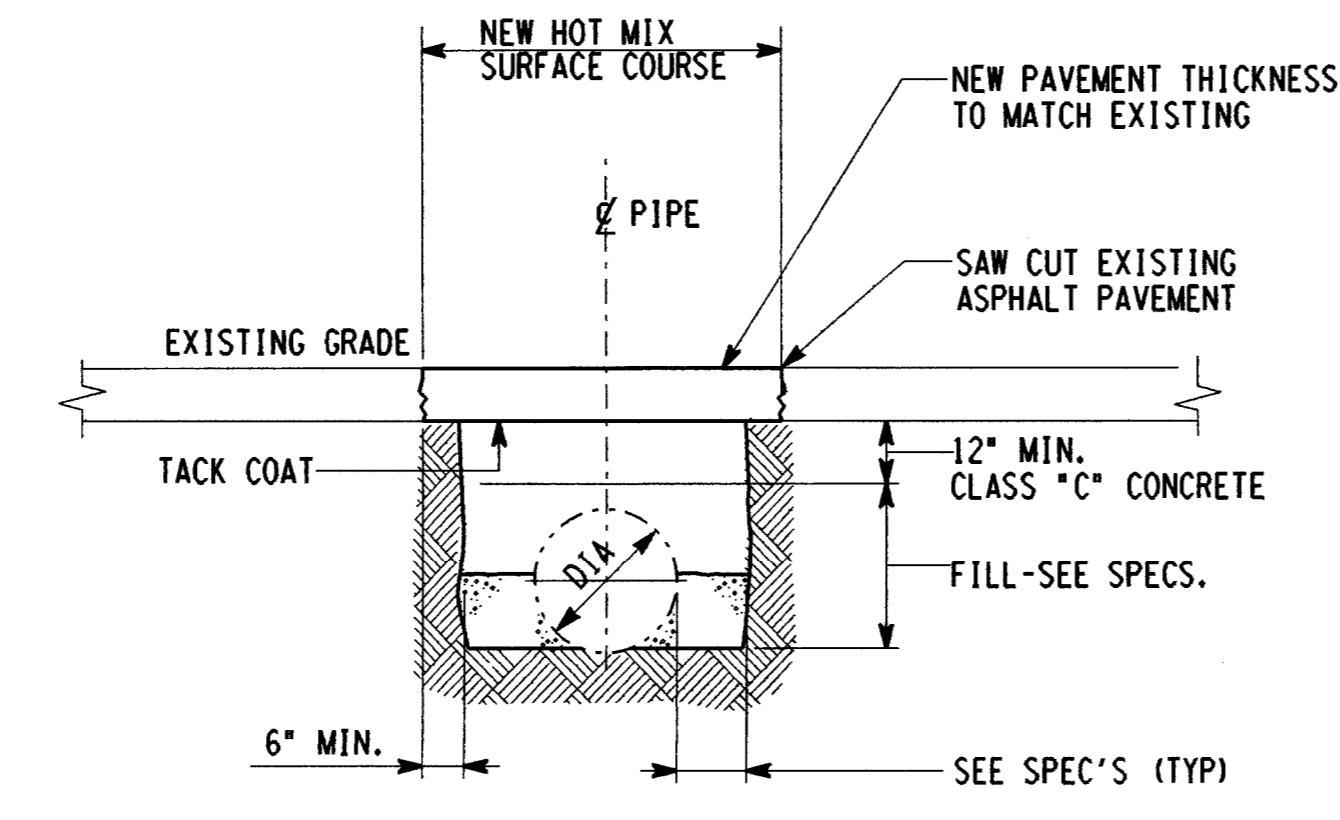
FENCE DETAILS  
N.T.S.



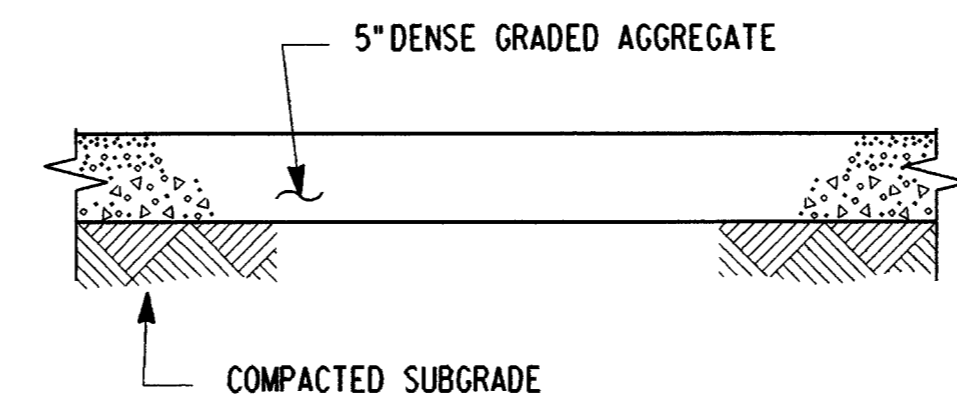
TRAFFIC CONTROL DETAIL  
N.T.S.



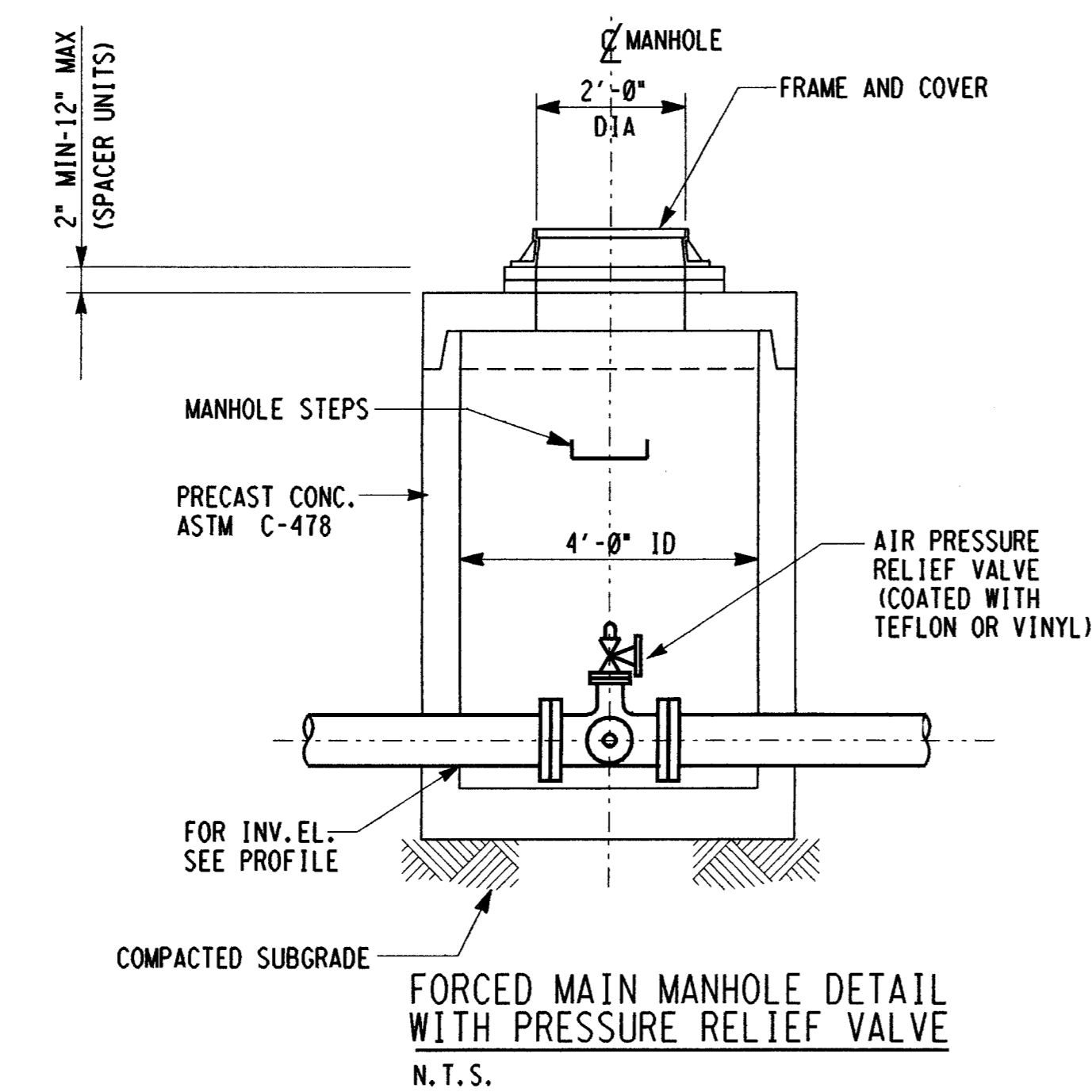
PLAN



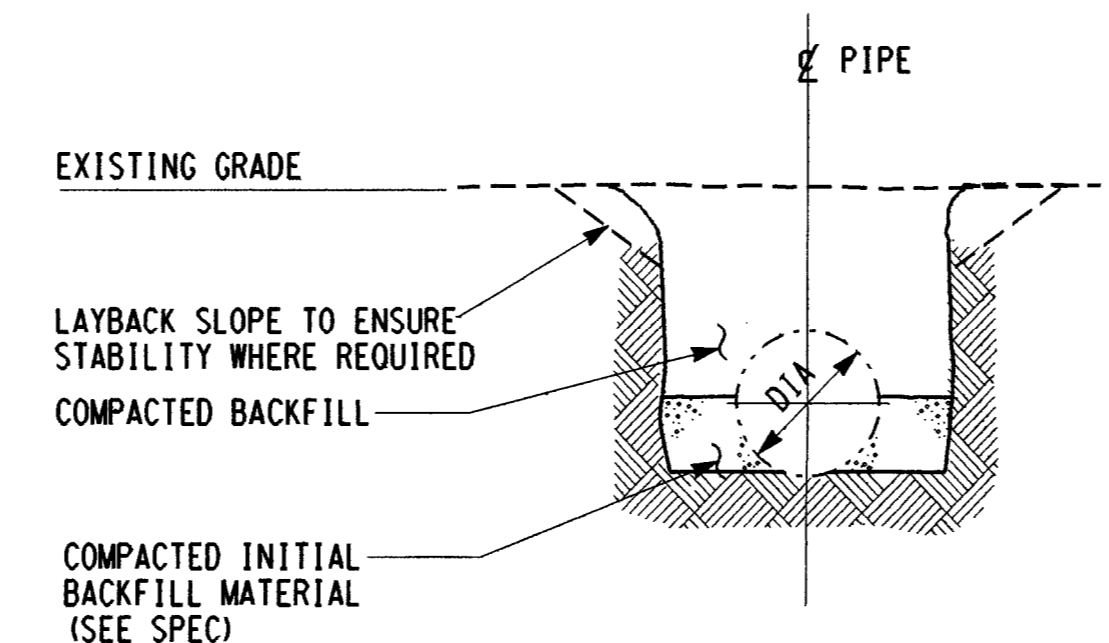
PAVEMENT REPLACEMENT DETAIL  
N.T.S.



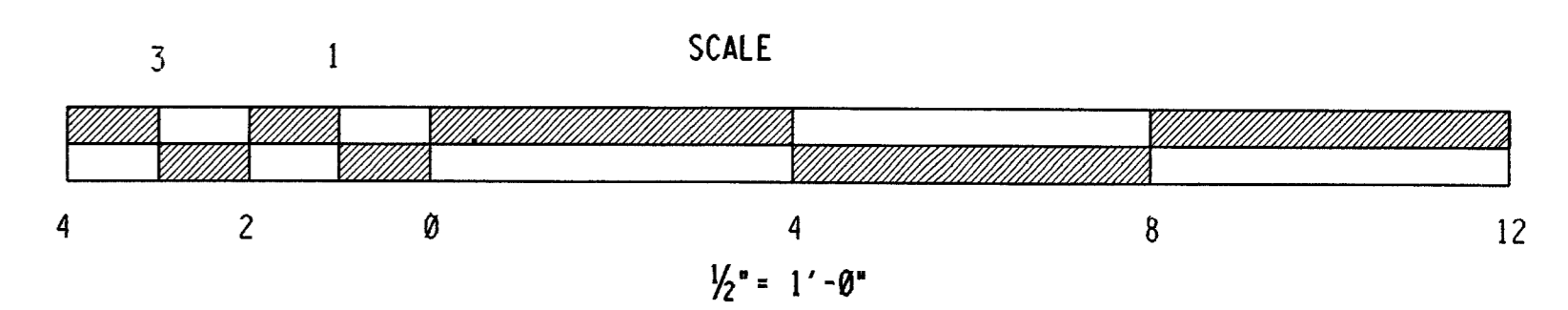
TYPICAL GRAVEL SECTION  
N.T.S.



FORCED MAIN MANHOLE DETAIL WITH PRESSURE RELIEF VALVE  
N.T.S.



TYPICAL UNDERGROUND PIPE BEDDING DETAIL  
N.T.S.



NJ013\_0122

SYMBOL	DESCRIPTION	DATE	APPROVED
	REVISIONS		

FOSTER WHEELER USA CORPORATION PERRYVILLE CORPORATE PARK, CLINTON, N.J.		UNITED STATES ARMY GARRISON FORT DIX DIRECTORATE OF PUBLIC WORKS FORT DIX, NEW JERSEY 08640	
DRAWN: JJC DESIGNED: WRL CHECKED: JCM FP&P DIV ENV DIV O & M DIV	USING AGENCY: DO1M	NEW WASTEWATER LIFT STATION AND FORCED MAIN SIEVERS-SANDBERG US ARMY RESERVE CENTER PEDRICKTOWN, NEW JERSEY	
RECOMMENDED: CHIEF ENGINEERING PLANS & SERVICES APPROVED:	SCALE: N.T.S. DATE: OCT. 25, 1996 PR. NR: GM-00036-5P	SECTION & DETAILS DRAWING NUMBER: C-6 SHEET 15 OF 18	

13-05-37389