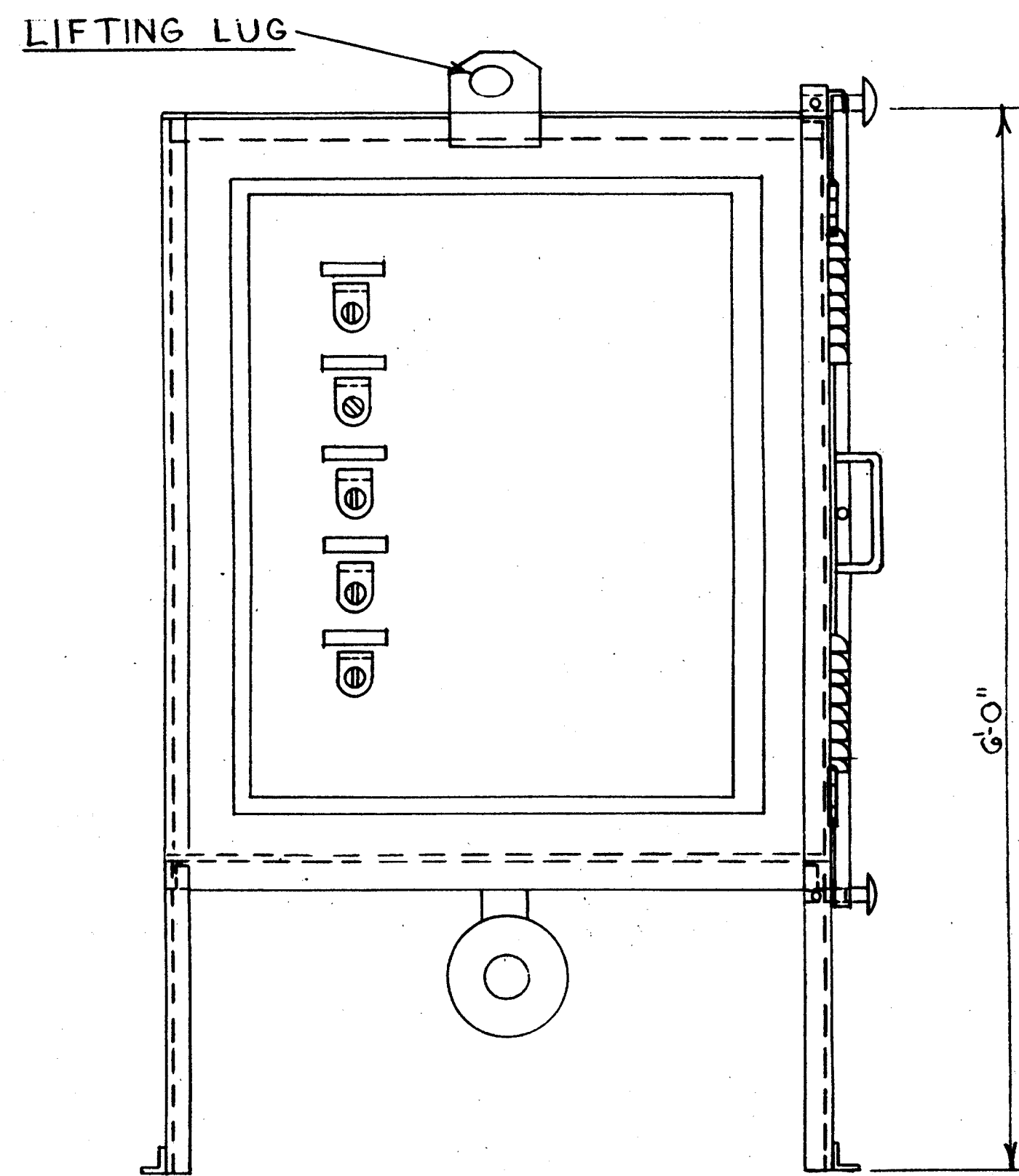
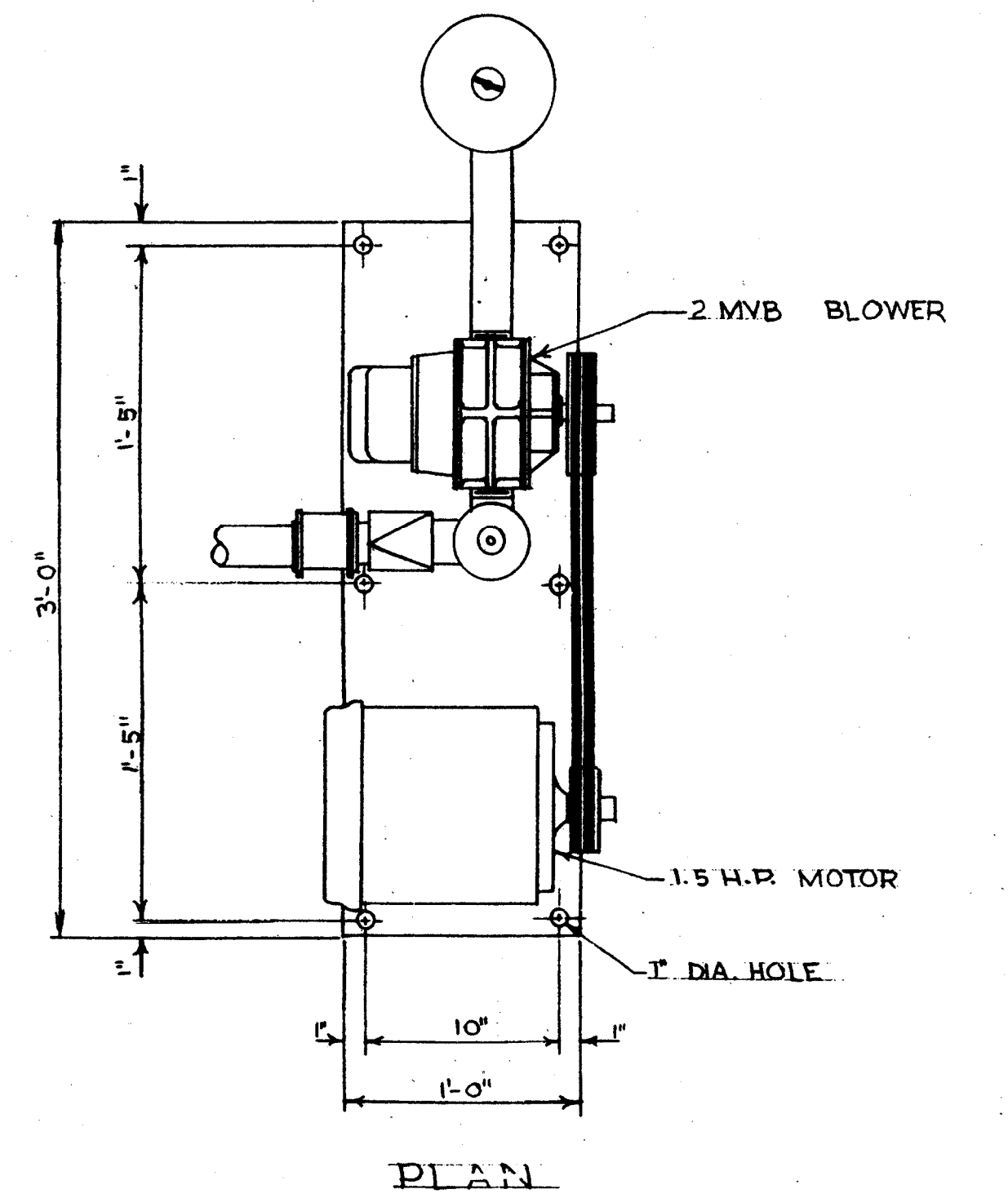


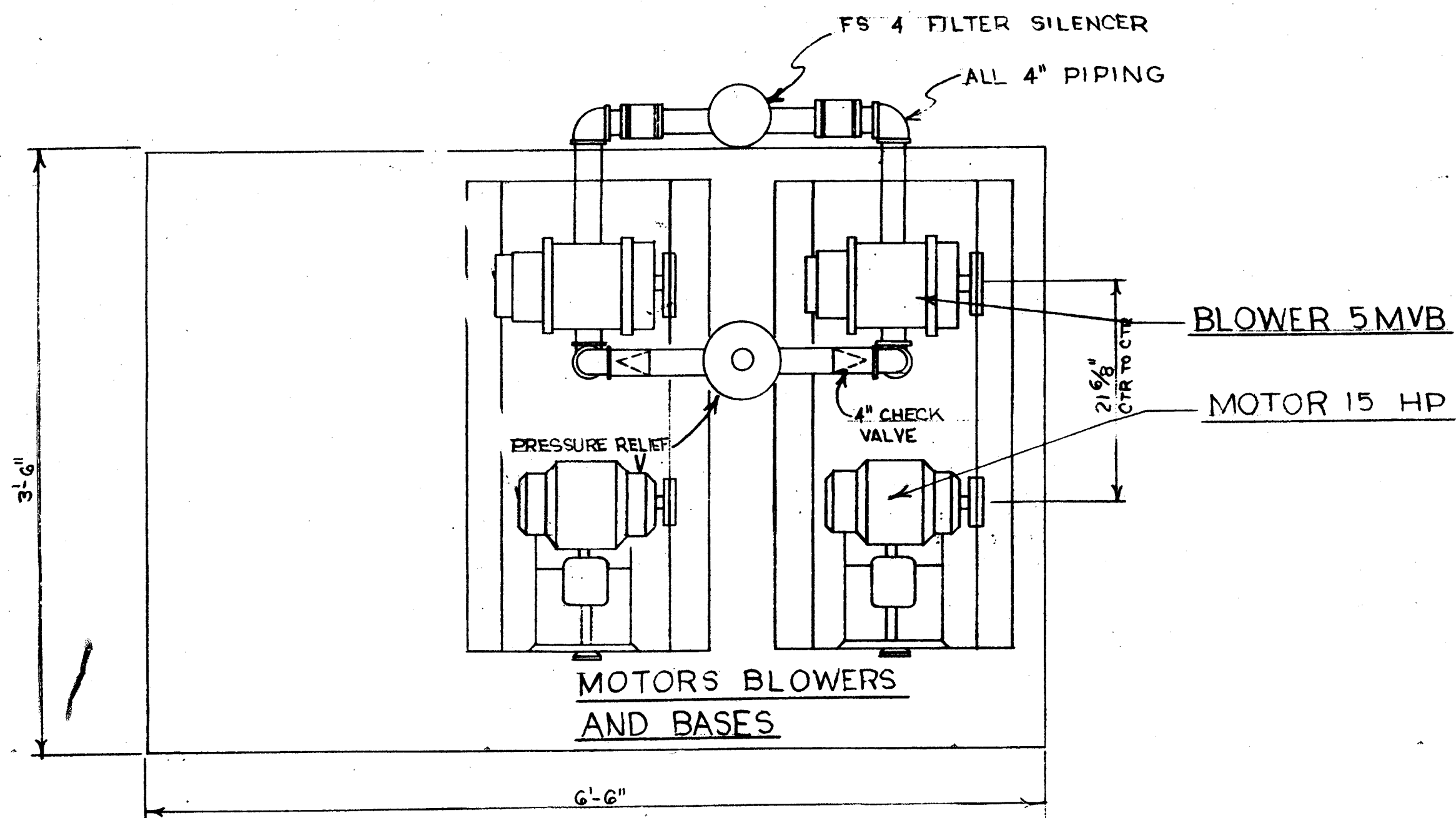
FRONT VIEW



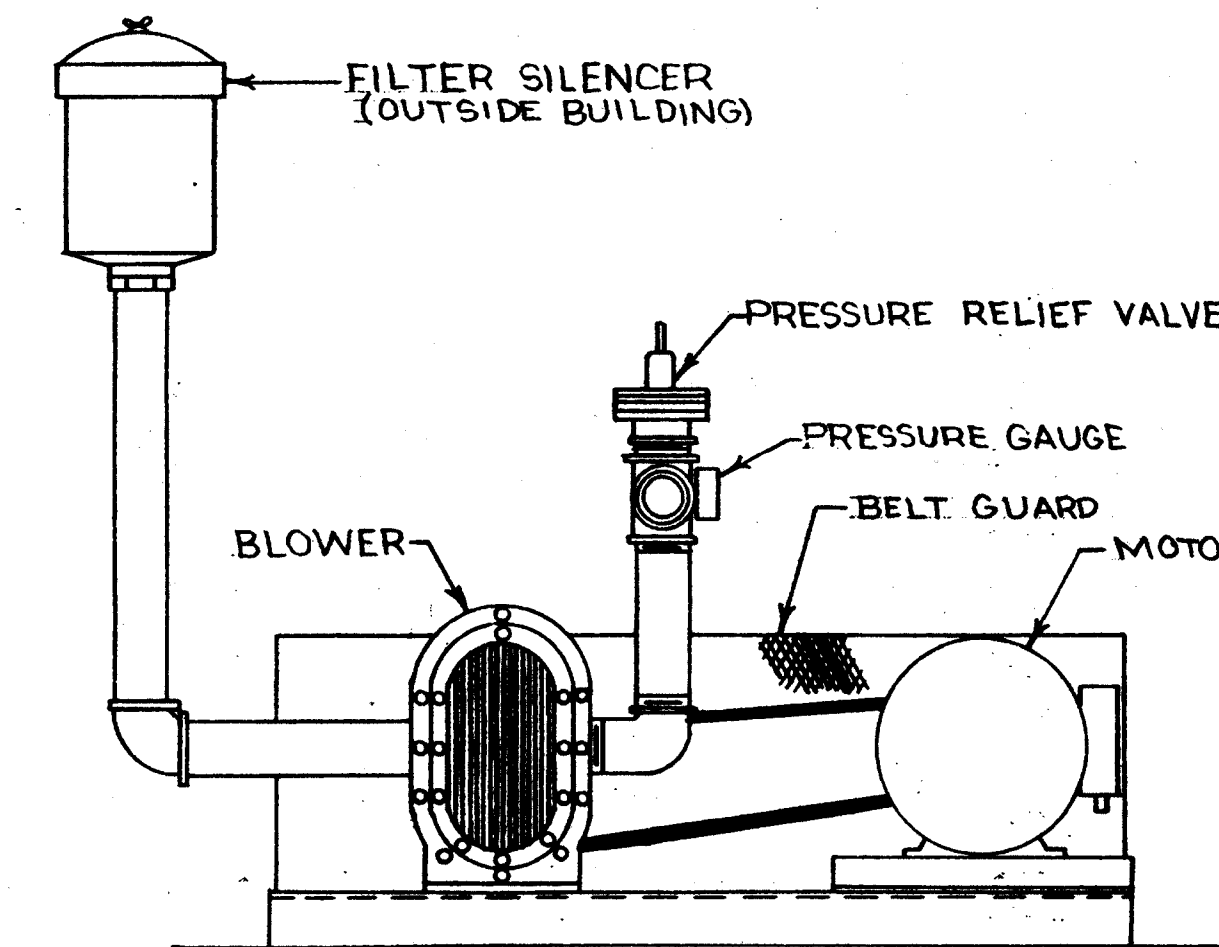
END VIEW



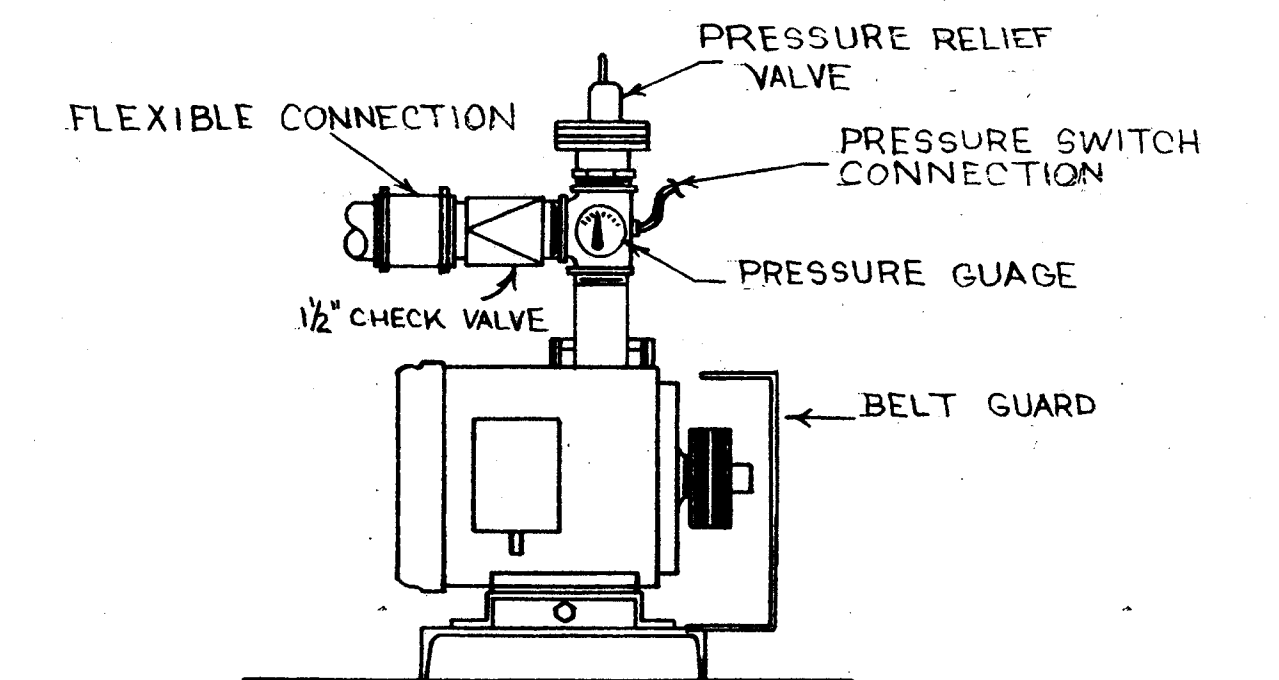
PLAN



PLAN



SIDE VIEW



ELEVATION

BLOWER HOUSE

NOT TO SCALE

NJ013\_0115

SYMBOL	DESCRIPTION	DATE	APPROVED
REVISIONS			
 FOSTER WHEELER USA CORPORATION <small>PERRYVILLE CORPORATE PARK, CLINTON, N.J.</small>		UNITED STATES ARMY - FORT DIX DIRECTORATE OF PUBLIC WORKS FORT DIX, NEW JERSEY 08640	
DRAWN	N.A.	NEW WASTEWATER LIFT STATION AND FORCE MAIN	
DESIGNED	N.A.	SEIVERS-SANDBERG U.S. ARMY RESERVE CENTER	
CHECKED	P.F.B.	PEDRICKTOWN, NEW JERSEY	
FP&P DIV		DEMOLITION OF CONTROL HOUSE/ AIR SCOUR BLOWER ASSEMBLY	
B&G DIV		RECOMMENDED:	SCALE: NOT TO SCALE
UTL. DIV		DATE: OCT. 25, '96	DRAWING NUMBER
USING AGENCY		APPROVED:	PLATE D-5
		Director of Engineering & Housing	SHEET 8 OF 18
		PR. NR: GM-00036-5P	

13-05-37389

3133982